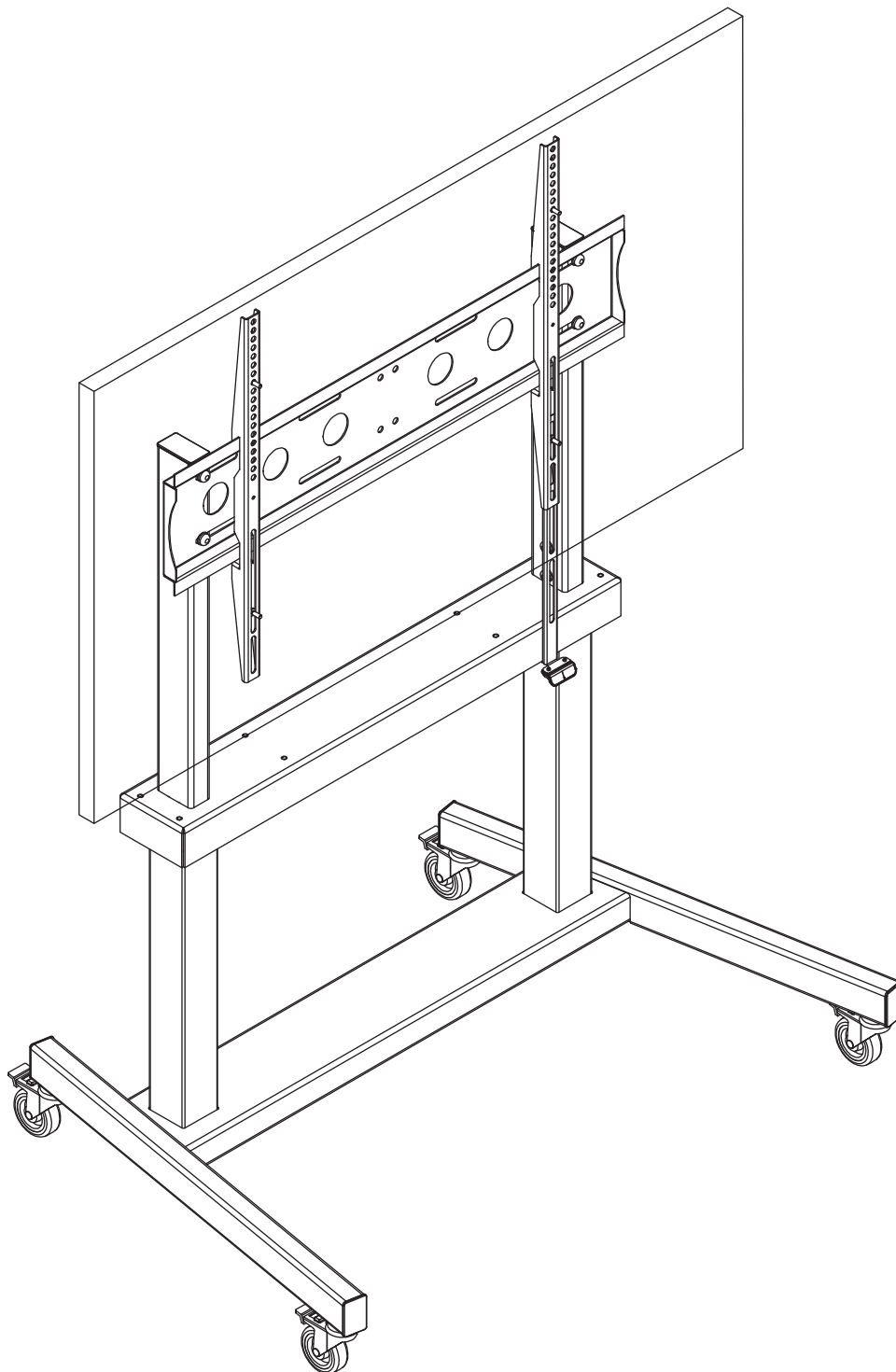
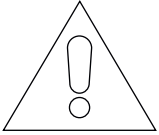




MTR200

Electric Height Adjustment
Trolley for 55"-98" screens

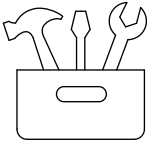


**WARNING**

Please read this manual before starting the installation to ensure correct assembly.

The assembly should be carried out in accordance with this manual by at least two fully qualified people. The EDBAK Company shall not be liable for any injuries or damage to material or property caused by incorrect assembly. Hence please ensure that:

- during the assembly all the instructions are followed carefully. Failure to do so may result in damage to the product or property, or even personal injury;
- before assembly you must ensure that there are no power cables, or water, sewage or gas pipes in the area of the ceiling where the mount is to be fixed;
- when attaching the projector to the mount, please ensure that the screws are of the correct length and diameter. In order to ensure the correct fit, use the plastic spacers supplied. Use of the wrong screws may result in permanent product damage. Extra caution should be taken with movable parts in order to avoid crushing or pinching your hands or fingers. The movable parts are identified in this manual.

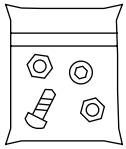


TOOL LIST

MTR200-IM-01

TOOLS

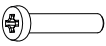

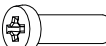

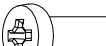
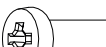




	5mm	GG	1x
	13mm	HH	1x
		II	1x
	2mm	JJ	1x

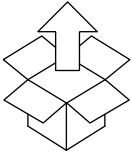


PART LIST

MTR200-IM-01

ELEMENTS

	M4 x 20	A01	4x
	M5 x 20	A02	4x
	M6 x 20	A03	4x
	M8 x 20	A04	4x
	M8 x 25	A05	4x
	M8 x 50	A06	4x
	fi15 x fi8,4 x 5	A06	4x
	fi15 x fi8,4 x 10	A06	4x
	M8	A06	4x
	M5	A06	4x

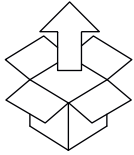


PART LIST

MTR200-IM-01

PRODUCT

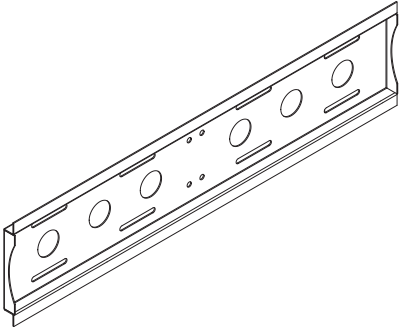
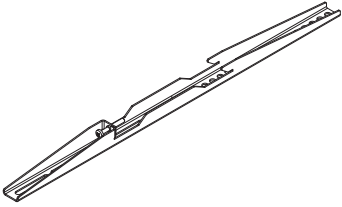


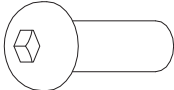
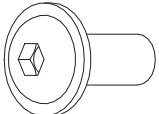
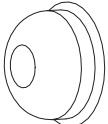
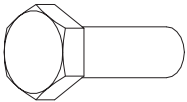


	<p>A</p>	<p>1x</p>
	<p>B</p>	<p>1x</p>
	<p>C</p>	<p>1x</p>
	<p>D</p>	<p>4x</p>
	<p>E</p>	<p>2x</p>

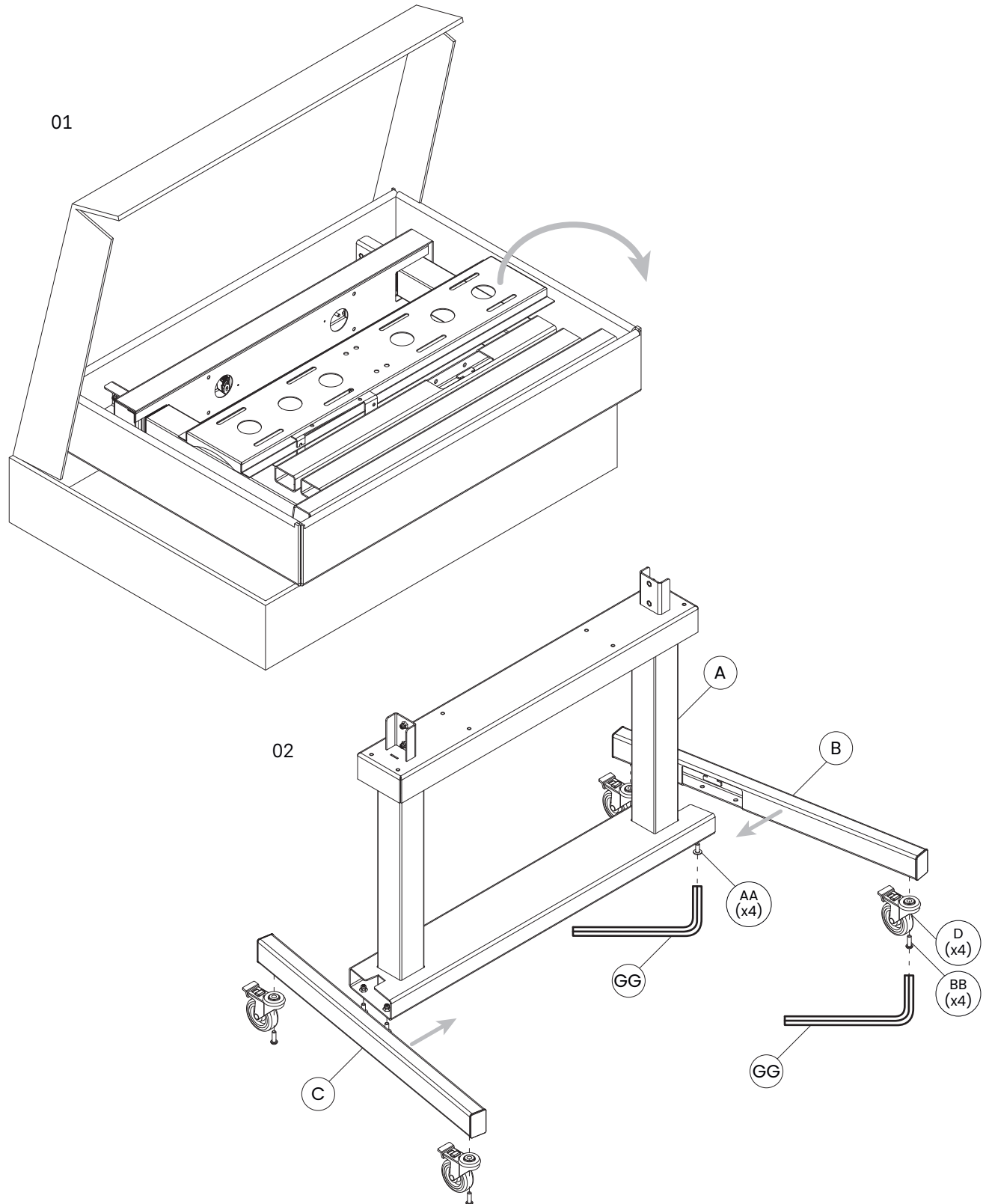


PART LIST

MTR200-IM-01

PRODUCT

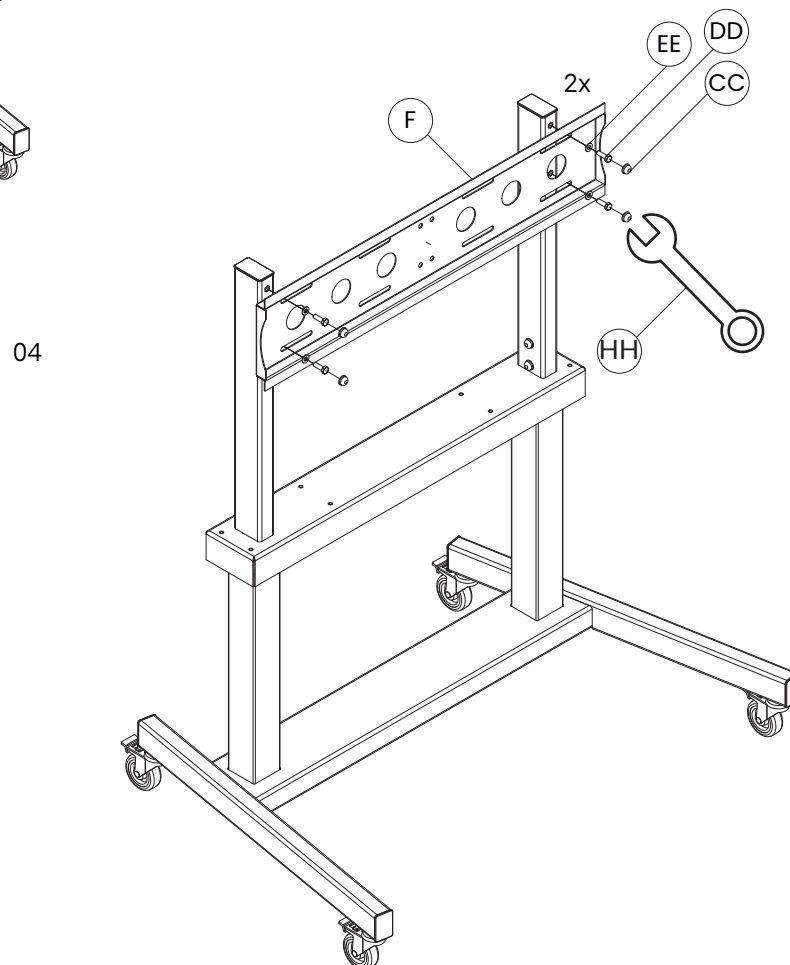
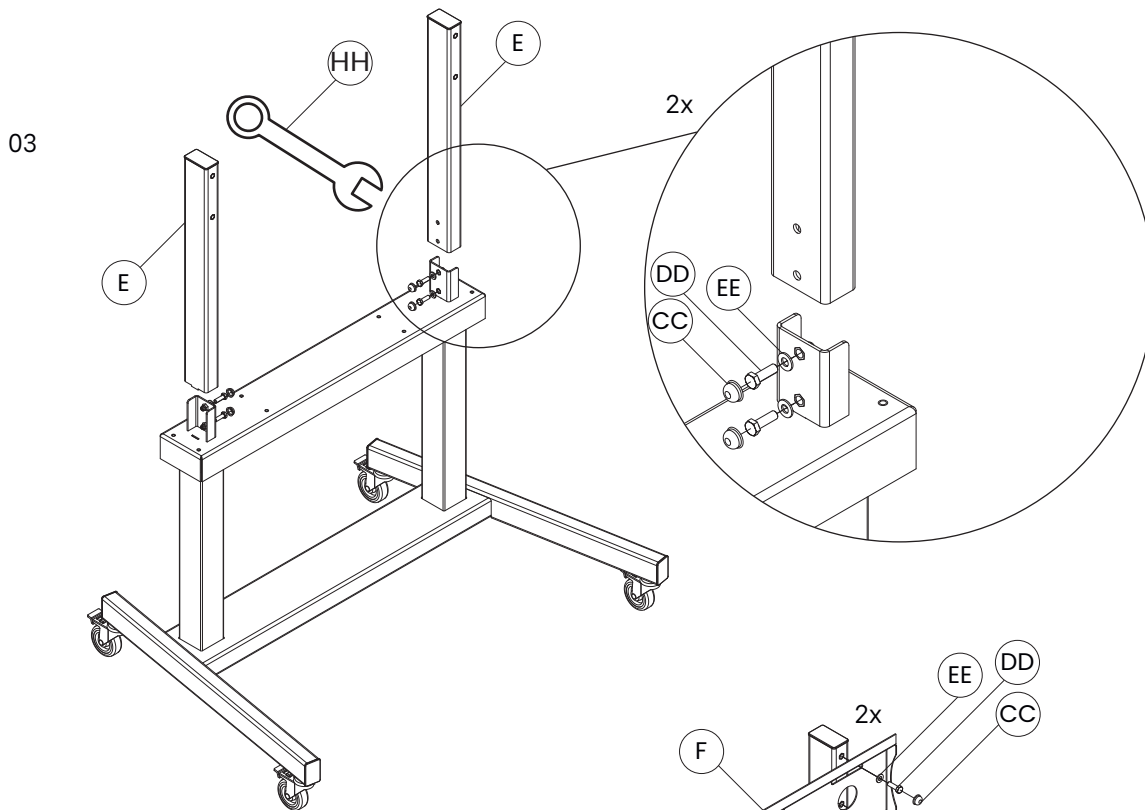
		<p>F</p> <p>1x</p>
		<p>G</p> <p>2x</p>
		<p>H</p> <p>1x</p>
		<p>I</p> <p>1x</p>
	<p>M8 x 25</p>	<p>AA</p> <p>4x</p>
	<p>M8 x 20</p>	<p>BB</p> <p>4x</p>
	<p>M8</p>	<p>CC</p> <p>6x</p>
	<p>M8 x 25</p>	<p>DD</p> <p>6x</p>
	<p>M8</p>	<p>EE</p> <p>6x</p>
	<p>M3 x 10</p>	<p>FF</p> <p>2x</p>

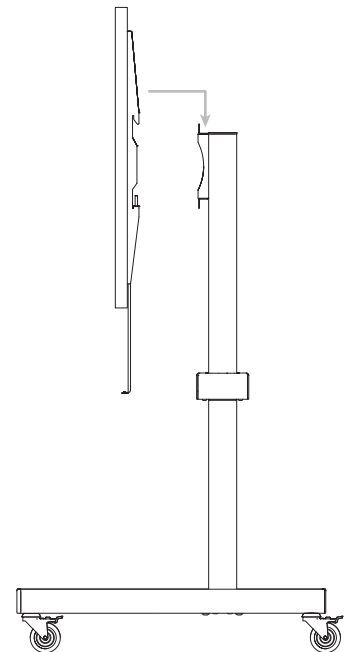
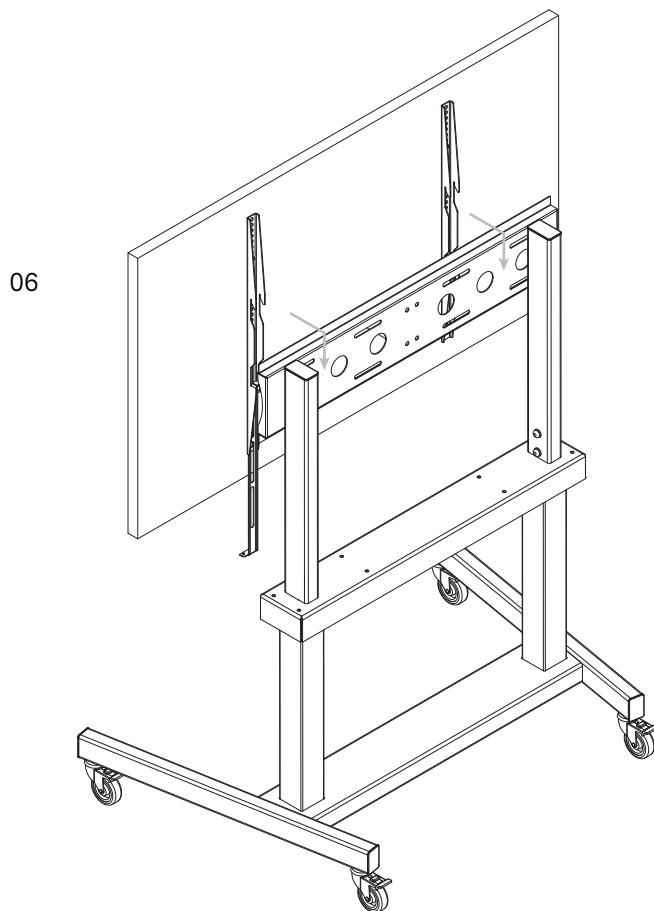
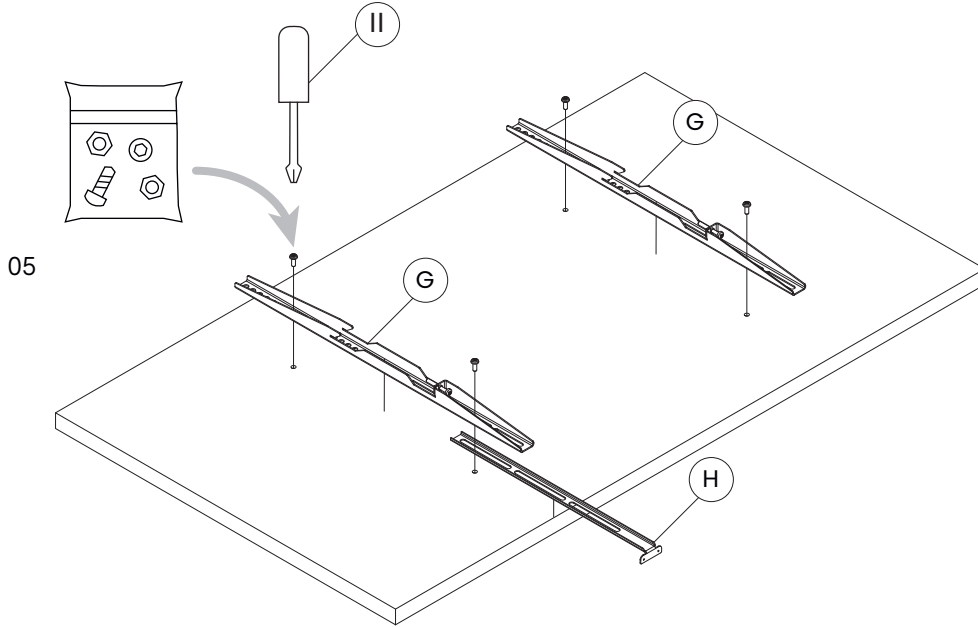




ASSEMBLY

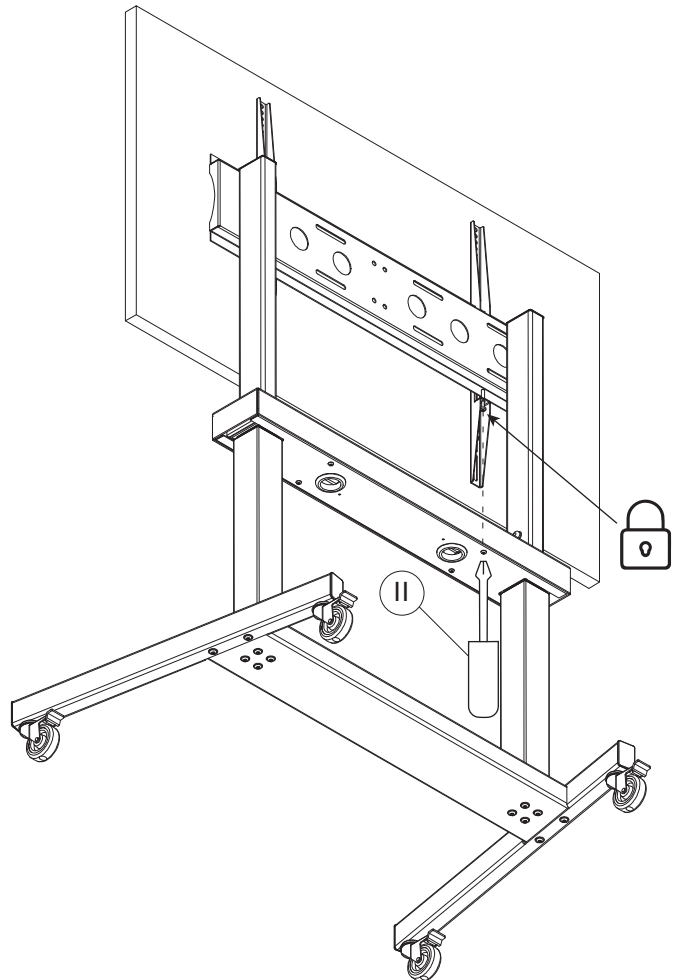
MTR200-IM-01







07



08

