

MTR200

ElectricHeight
Adjustment Trolley
for 55"-98" screens



The MTR200 is a mobile solution designed for mounting monitors up to 98". Electric height adjustment allows for effortless raising and lowering of the monitor using a wired control panel. The adjustment range is up to 650 mm. This trolley is ideal for mounting interactive touchscreen monitors in educational and corporate environments. The mount features a modern design and simple installation on the arms, allowing for quick and easy monitor installation.

FEATURES:

- Electric height adjustment
- Effortless raising and lowering of the monitor
- Wired control panel
- The adjustment range up to 650 mm
- Ideal for mounting interactive touchscreen monitors
- Dedicated for educational and corporate environments
- quick and easy monitor installation



55"-98"



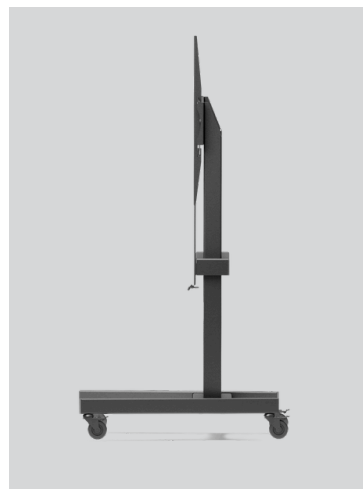
80kg



100x100
800x400



RoHS
Compliant

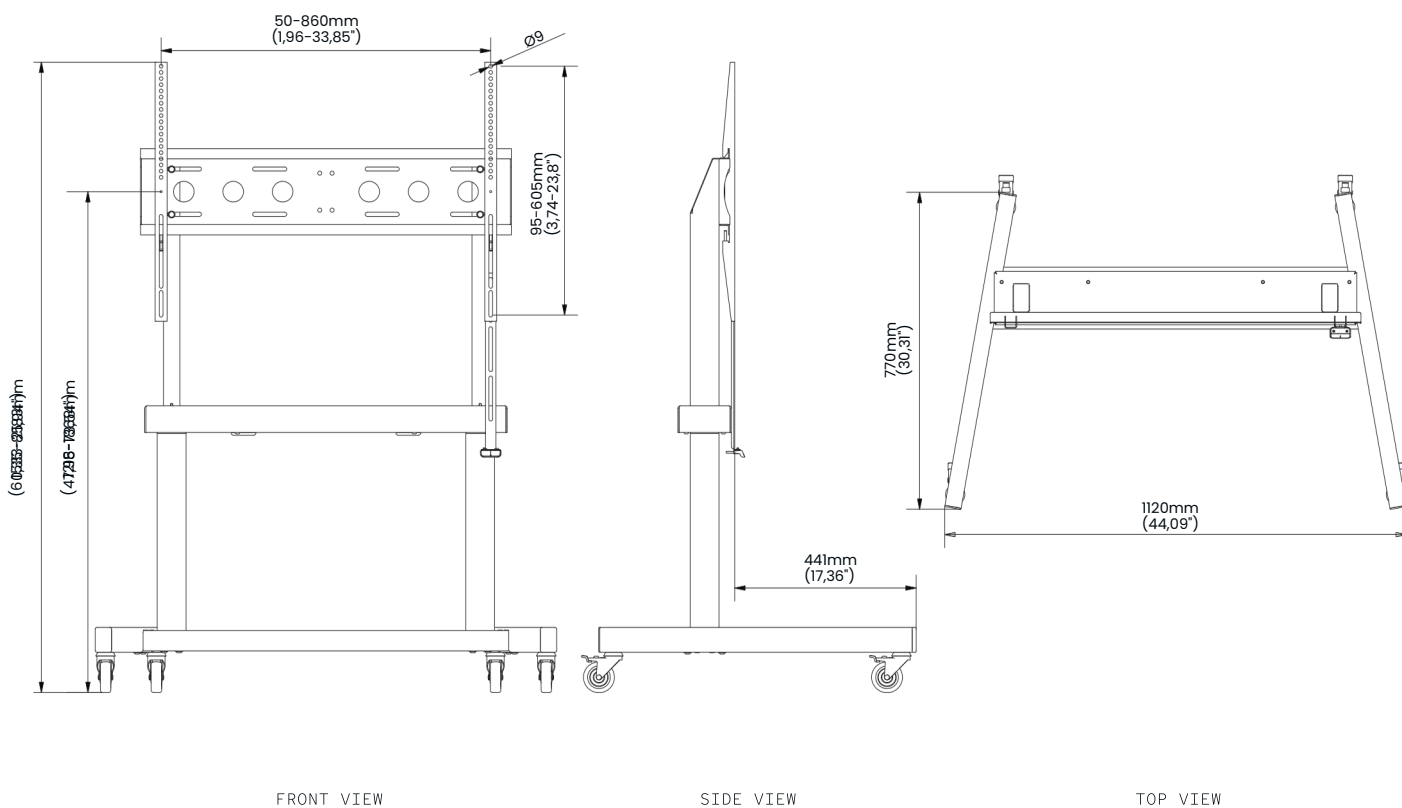


PRODUCT SPECIFICATIONS

Short index	MTR200
Category	Electric Height Adjustment Trolleys
Product group	Trolleys & Stands
Colour	Black
Warranty	Limited 5-years
Number of screens	1
Minimum screen size	55"
Maximum screen size	98"
Maximum load	80 kg
VESA Mounting Compatibility	100x100 up to 800x600

TECHNICAL SPECIFICATIONS

Product dimensions	W: 1120 mm D: 770 mm H: 1533 mm (W:44,09" D:30,31" H:60,35")
Product weight	? kg (?? lb)
Max. distance from floor to screen centre	1868 mm (73,54")
Min. distance from floor to screen centre	1218 mm (47,95")
Max. mounting pattern	860 mm x 605 mm
Min. mounting pattern	95 mm x 50 mm



LOGISTICS DATA

SAP INDEX	EAN CODE	COLOUR	PACKAGE DIMENSIONS	PACKAGE WEIGHT
WWTR-MTR200	5902841110199	BLACK	1835 x 110 x 190 mm 72,24 x 4,33" x 7,48"	1,2 kg 2,64 lb

HS Code (Harmonized System): 732690, HTS Code (Harmonized Tariff Schedule): 7326909890, Country of Origin: Poland