

MWF200

Electric Height Adjustment
Stand/Wall Mounted
for 55"-98" screens



The MWF200 is solution designed for mounting monitors up to 98". Stand is mounted at two points, to the wall and to the wall or floor. Electric height adjustment allows for raising and lowering of the monitor using a wired control panel. The adjustment range is up to 650 mm. This stand is ideal for mounting interactive touchscreen monitors in educational and corporate environments. The mount features a modern design and simple installation on the arms, allowing for quick and easy monitor installation.

FEATURES:

- Electric height adjustment
- Effortless raising and lowering of the monitor
- Wired control panel
- The adjustment range up to 650 mm
- Ideal for mounting interactive touchscreen monitors
- Dedicated for educational and corporate environments
- quick and easy monitor installation



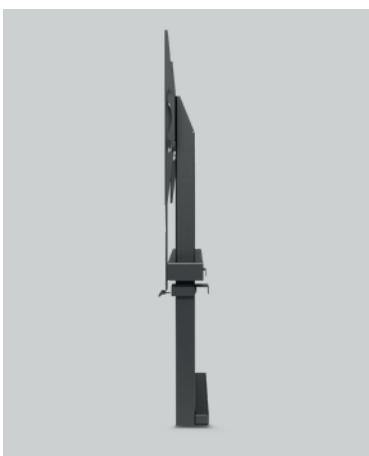
55"-98"



80kg



100x100
800x400

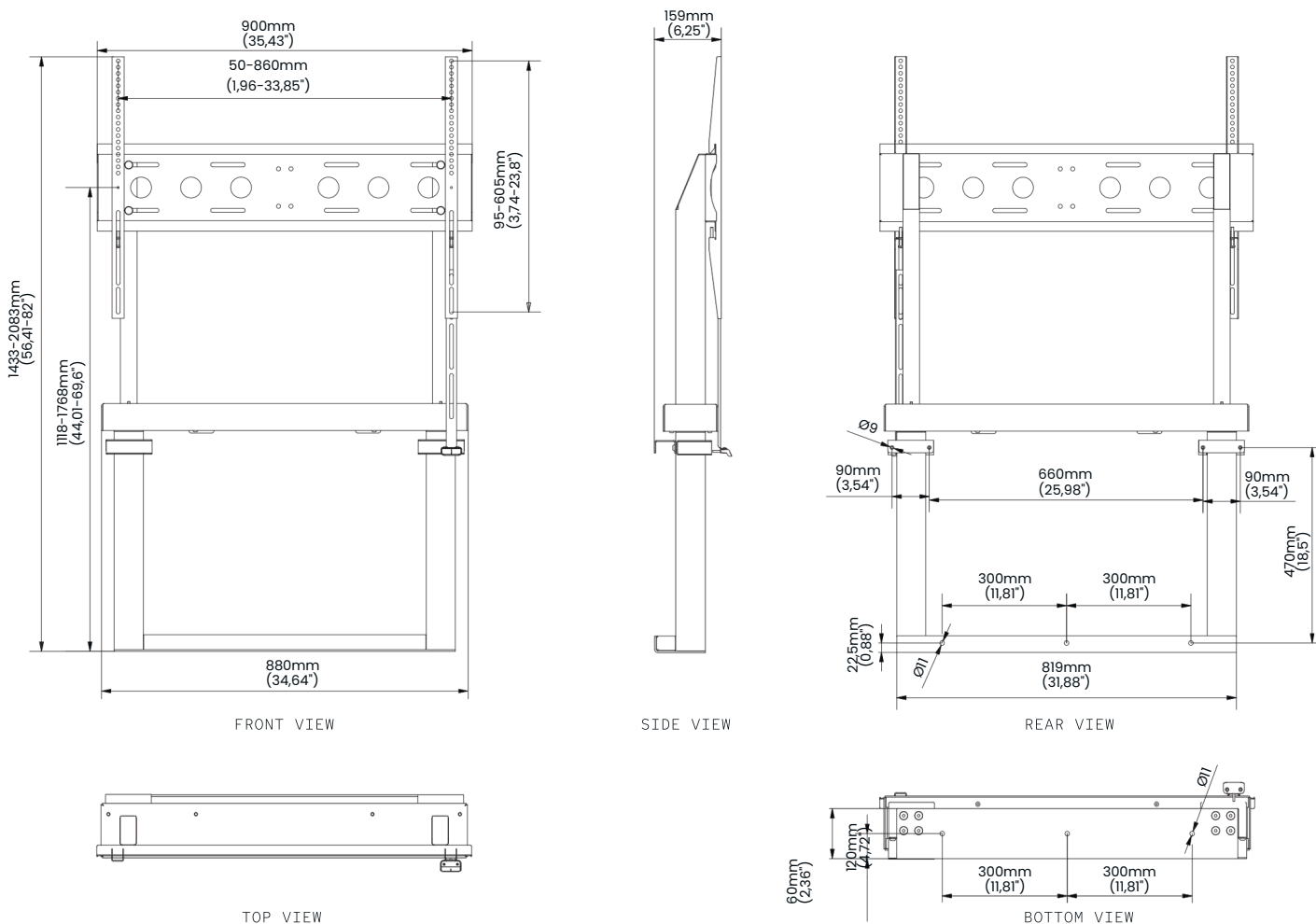


PRODUCT SPECIFICATIONS

Short index	MWF200
Category	Electric Height Adjustment Stands
Product group	Trolleys & Stands
Colour	Black
Warranty	Limited 5-years
Number of screens	1
Minimum screen size	55"
Maximum screen size	98"
Maximum load	80 kg
VESA Mounting Compatibility	100x100 up to 800x600

TECHNICAL SPECIFICATIONS

Product dimensions	W: 880 mm D: 159 mm H: 1433 mm (W:34,64" D:6,25" H:56,41")
Product weight	45 kg (99,2 lb)
Max. distance from floor to screen centre	1768 mm (69,6")
Min. distance from floor to screen centre	1118 mm (44,01")
Max. mounting pattern	860 mm x 605 mm
Min. mounting pattern	95 mm x 50 mm



LOGISTICS DATA

SAP INDEX	EAN CODE	COLOUR	PACKAGE DIMENSIONS	PACKAGE WEIGHT
WSTD-MWF200	5902841110120	BLACK	1835 x 110 x 190 mm 72,24 x 4,33" x 7,48"	46,7 kg 102,95 lb

HS Code (Harmonized System): 732690, HTS Code (Harmonized Tariff Schedule): 7326909890, Country of Origin: Poland