

TWB1.600

Universal Flat Wall Mount
for 50"-85" screens



Designed for practical wall mounting of the screen. TWB1.600 is made of metal elements, very robust and, at the same time, aesthetically finished. By protecting the screen from falling, this mount is perfect for public areas. Dedicated both as a standalone mount and as a component for other structures, including conference trolleys or ceiling mounts. The TWB1.600 wall mount is a guarantee of robustness, featuring modern solutions.

FEATURES:

- Universal design – Suitable for 50"-85" screens
- Wide range of VESA mounting holes
- Screen protection against falling
- Screen mounting screws included
- 3 mm heavy duty steel
- Robust construction to ensure load capacity up to 80 kg
- Lateral adjustment of the screen once mounted on the wall plate
- Suitable for installation on brick, concrete, plaster and wooden walls
- Simple and quick installation



50"-85"



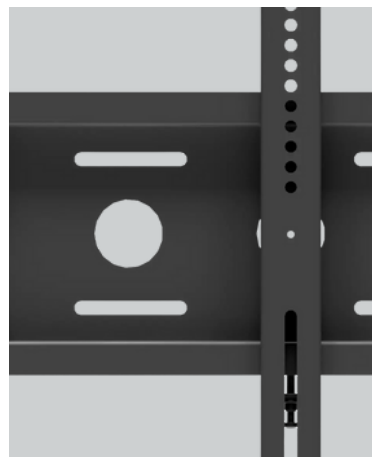
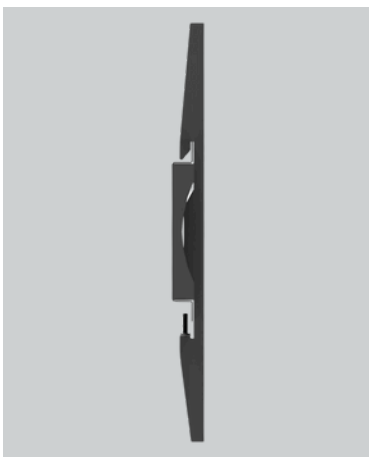
100x100
800x600



80 kg



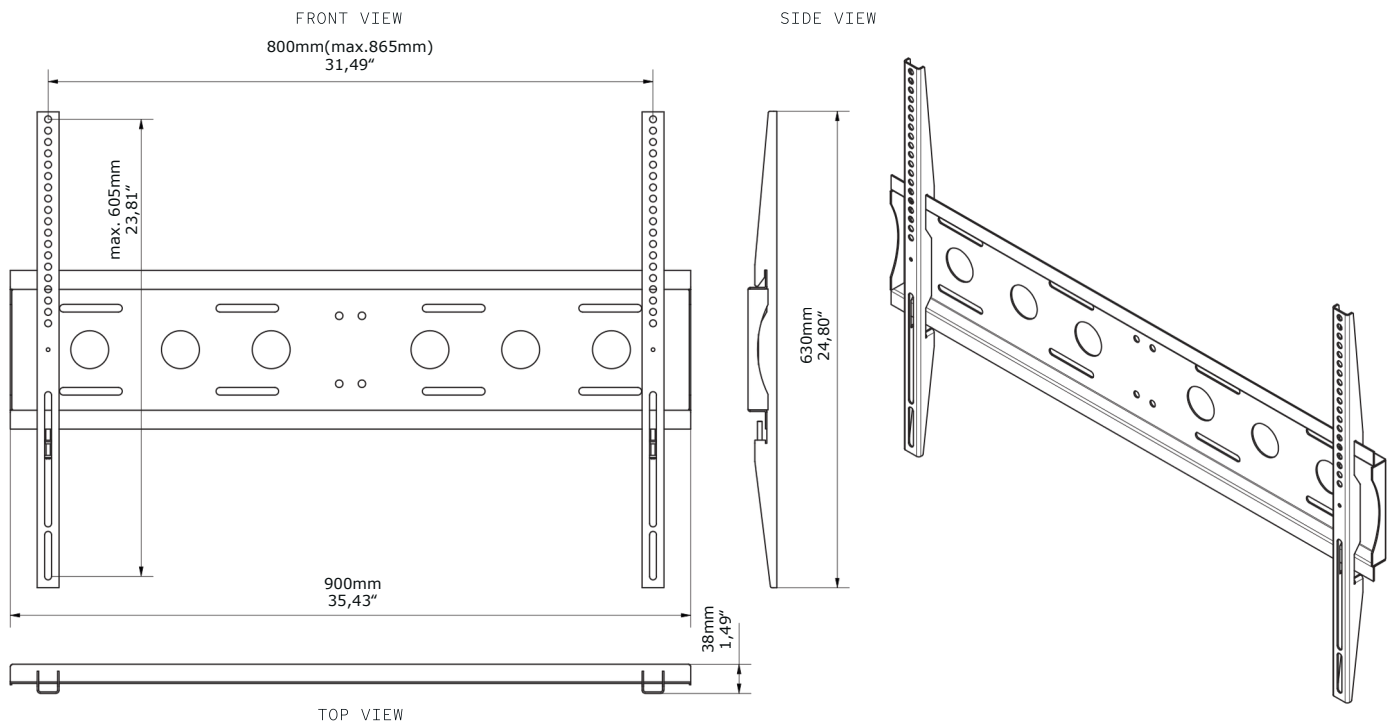
PRODUCT SPECIFICATIONS



Short index	TWB1.600
Category	Flat Wall Mounts
Product group	Display Mounts
Colour	Black
Warranty	Limited 5-years
Number of screens	1
Minimum screensize	50"
Maximum screensize	85"
Maximum load	80 kg
VESA Mounting Compatibility	100 × 100 up to 800 × 600

TECHNICAL SPECIFICATIONS

Product dimensions	W: 900 mm D: 38 mm H: 630 mm (W:35,43" D:1,50" H:24,80")
Product weight	4,6 kg (10 lb)
Max. distance from floor to screen centre	38 mm (1,50")
Min. distance from floor to screen centre	38 mm (1,50")
Max. mounting pattern	865 mm x 605 mm
Min. mounting pattern	50 mm x 95 mm



LOGISTICS DATA

SAP INDEX	EAN CODE	COLOUR	PACKAGE DIMENSIONS	PACKAGE WEIGHT
WUSC-TWB1.600	5902841100626	BLACK	930 x 220 x 40 mm 36,61 x 8,66 x 1,57"	5,5 kg 12 lb

HS Code (Harmonized System): 732690, HTS Code (Harmonized Tariff Schedule): 7326909890, Country of Origin: Poland