

**PMV200**

**Universal Projector Ceiling Mount  
4 fixing points**



The reliable and robustly crafted PMV200 projector mount is the basis for any properly made audiovisual installation. The handle is characterized by a load capacity adapted to the weight of the device and protection against accidental falling out. It ensures that the projector is positioned in relation to the projection screen, so that the displayed image is of the best quality. The handle is characterized by precise and convenient adjustment of the distance to the ceiling and the possibility of hiding the wiring through the integrated cable management system. An indisputable advantage of the handle is modern design and aesthetics of workmanship, thanks to which it works great in the most prestigious interiors.

**FEATURES:**

- Modern Design with a high-end finish
- Aluminum construction with a semi-textured powder coat or anodized finish
- Ceiling plate covers to hide fixings included
- Micro-Adjustment mechanism ensures precise installation
- Universal for all key projectors with multiple fixing points
- Distance from ceiling to projector from 650 mm to 1000 mm
- Internal cable management in tube
- 50° horizontal adjustment



30 kg



-7,5°/+7,5°



650-1000



-25°/+25°

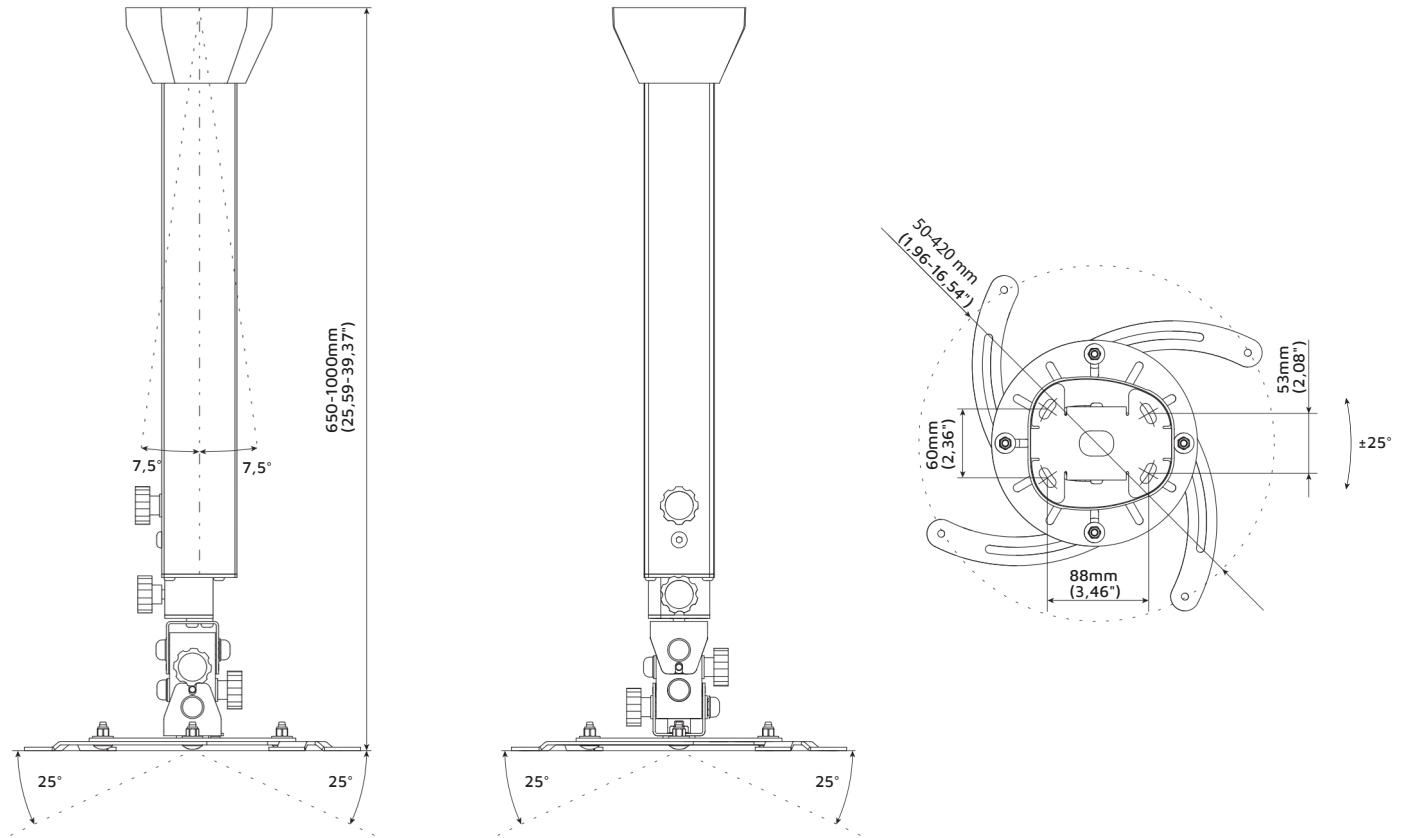


**PRODUCT SPECIFICATIONS**

<b>Short index</b>	PMV200
<b>Category Product group</b>	Projector Mounts Projector Ceiling Mounts
<b>Colour</b>	Black
<b>Warranty</b>	Limited 5-years
<b>Maximum load</b>	30 kg
<b>Forward tilting</b>	-7,5°/+7,5°
<b>Height adjustment</b>	Yes

TECHNICAL SPECIFICATIONS

<b>Product dimensions</b>	W: 180 mm D: 180 mm H: 650 mm (W:7,08" D:7,08" H:25,59")
<b>Product weight</b>	5 kg (11,02 lb)
<b>Min. distance from mounting surface</b>	650 mm (22,59")
<b>Max. distance from mounting surface</b>	1000 mm (39,37")
<b>Min. mounting pattern</b>	50 mm (1,96")
<b>Max. mounting pattern</b>	420 mm (16,54")



LOGISTICS DATA

Please Note - This Product Is Packed In Several Cardboard Packages

SAP INDEX	EAN CODE	COLOUR	PACKAGE DIMENSIONS	PACKAGE WEIGHT
WUSU-PMV200	5902841112124	BLACK	660 x 210 x 160 mm 25,98 x 8,26 x 6,29"	4,8 kg 10,58 lb

HS Code (Harmonized System): 732690, HTS Code (Harmonized Tariff Schedule): 7326909890, Country of Origin: Poland