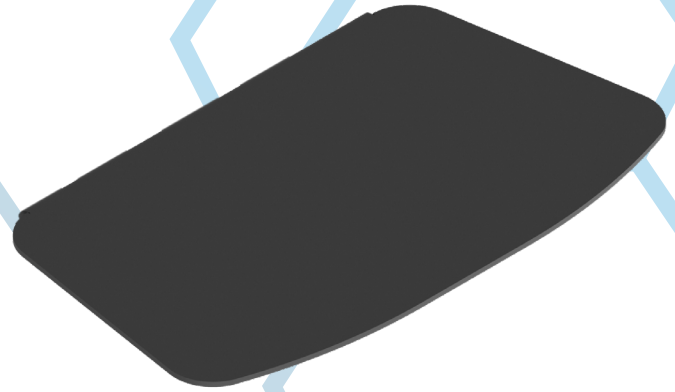


# TRSU2

## UNIVERSAL METAL SHELF

FOR TR, TRV, STD, STDV, VWTA SERIES



### PRODUCT SPECIFICATIONS

Short index	TRSU2
Product group	Trolleys & Stands
Category	Accessories
Colour	Black
Warranty	Limited 5-years
Maximum load	2 kg



2 kg

### TECHNICAL SPECIFICATIONS

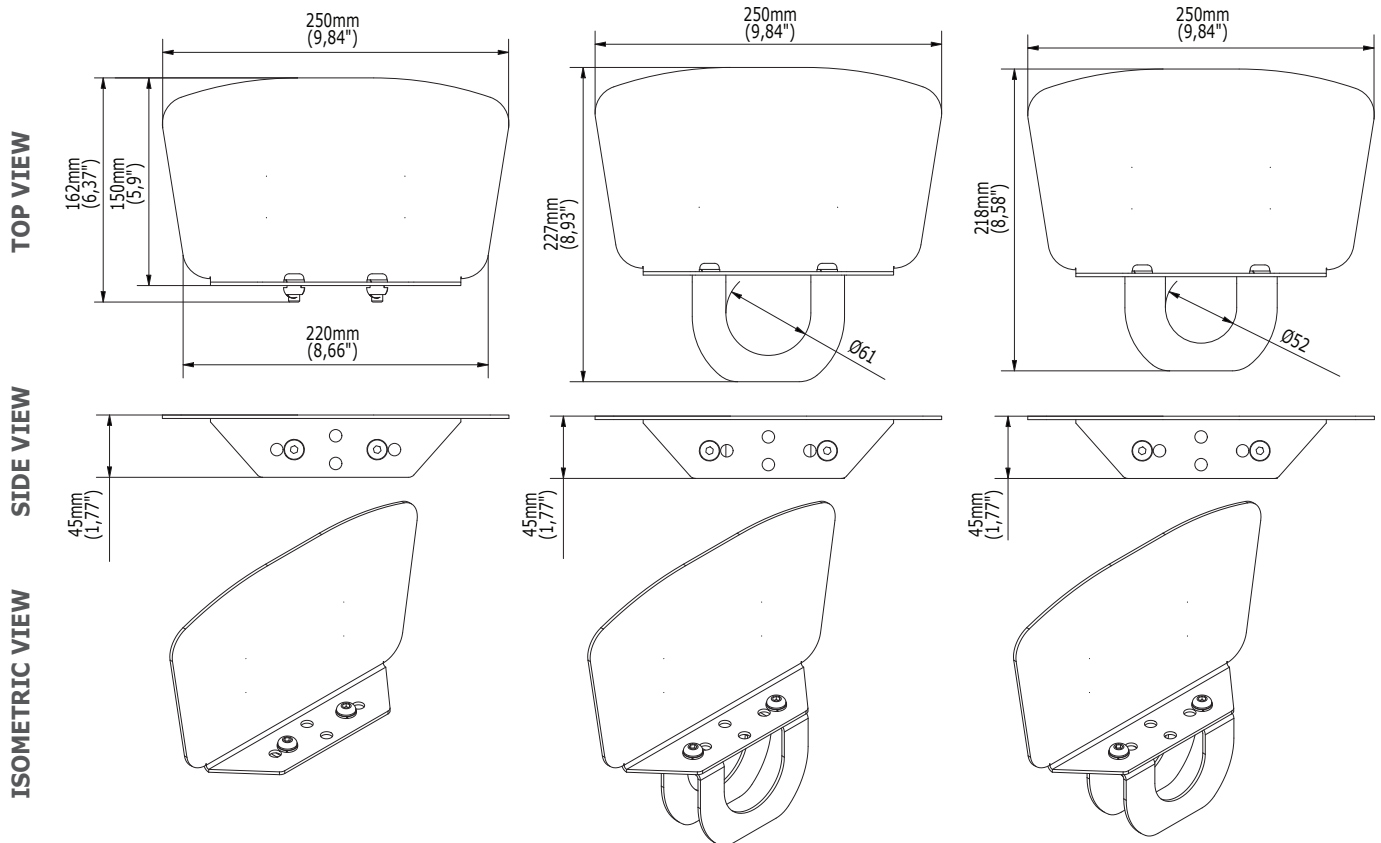
Product dimensions

W: 250 mm D: 227 mm H: 45 mm (W:9,84" D:8,93" H:1,77")

Product weight

1,3 kg (2,86 lb)

### TECHNICAL DRAWINGS



### LOGISTICS DATA

SAP INDEX	EAN CODE	COLOUR	PACKAGE DIMENSIONS	PACKAGE WEIGHT
WWTR-TRSU2	5902841108509	BLACK	295 x 165 x 75 mm 11,61 x 6,49 x 2,95"	1,7 kg 3,74 lb

HS Code (Harmonized System): 732690, HTS Code (Harmonized Tariff Schedule): 7326909890, Country of Origin: Poland