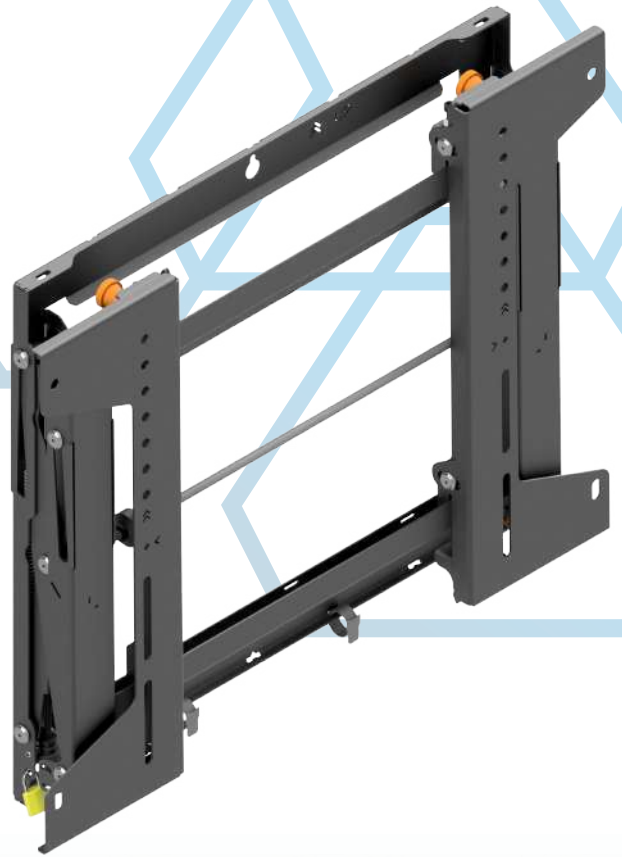


# VWPOPS55-L

**ULTRA-THIN VIDEO WALL POP-OUT MOUNT WITH QUICK RELEASE**  
FOR 42"-55" SCREENS

VWPOPS55-L allows easy and fast installation of video walls. Independent 8-point adjustment allows precise alignment of screens without the use of tools. Open design of VWPOPS55-L and a special retractable system for easy access for service purposes. The mount is equipped with a lock against uncontrolled structure opening, ensuring comfort of use and safety. VWPOPS55-L will meet the expectations of the most demanding customers. It will be perfect for an office, a shopping centre or car dealership.

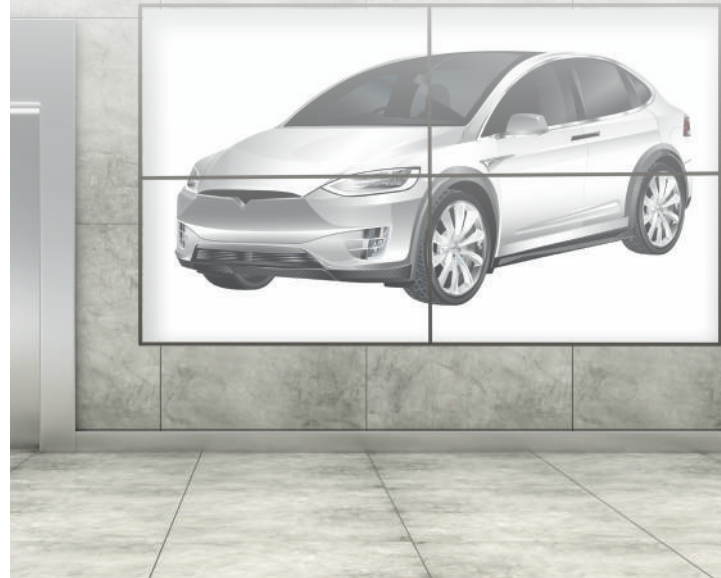


## FEATURES

- Possible landscape or portrait setup
- The thickness of the mount is only 60 mm
- +/-7.5 mm micro-adjustment ensures smooth alignment of screens
- Levelling screws allow adjustment of screen height
- Pop-out system for quick and easy access for installation and servicing purposes
- 10° tilt of the screen with the mount open increases access to the back of the screen from the bottom
- Integrated locking mechanism prevents the screen from being slid out accidentally
- Padlock protection against uncontrolled opening

## PRODUCT SPECIFICATIONS

Short index	VWPOPS65-L
Category	Video Wall Mounts
Product group	Video Wall & Menu Board Mounts
Colour	Black
Warranty	Limited 5-years
Minimum screen size	42"
Maximum screen size	55"
Maximum load	42 kg
Forward tilting	+10°
VESA Mounting Compatibility	100x100 up to 600x400



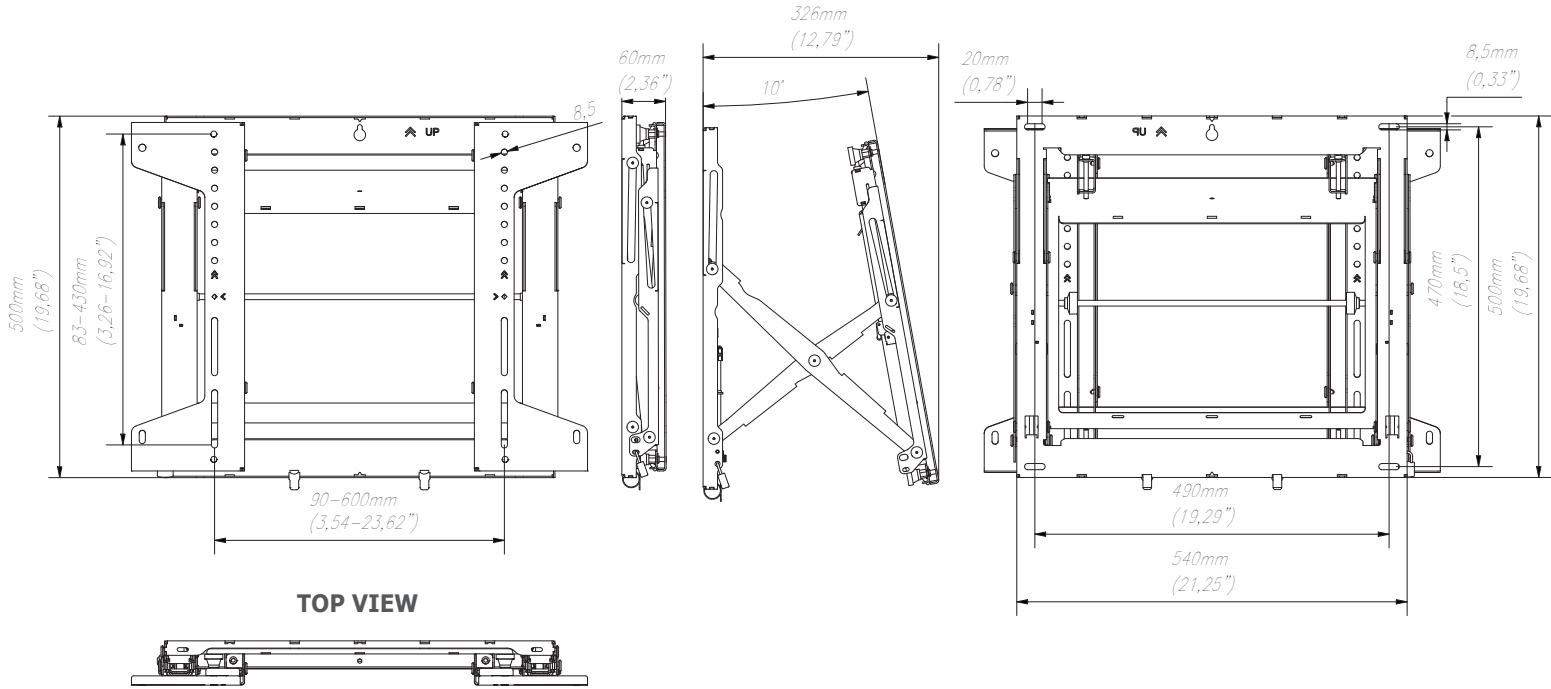
Securing the screen against falling with screws



Minimalistic design and functionality



Wide range of VESA mounting standards

**FRONT VIEW**
**SIDE VIEW**
**BACK VIEW**

**TECHNICAL SPECIFICATIONS**

Product dimensions	W: 540 mm D: 60 mm H: 500 mm (W:21,25" D:2,36" H:19,69")
Product weight	8 kg (18 lb)
Max. distance from the surface	325 mm (12,80")
Min. distance from the surface	60 mm (2,36")
Max. mounting pattern	600 mm x 430 mm
Min. mounting pattern	90 mm x 83 mm

**LOGISTICS DATA**

SAP INDEX	EAN CODE	COLOUR	PACKAGE DIMENSIONS	PACKAGE WEIGHT
WUSC-VWPOPS55-L	5902841101425	BLACK	750 x 550 x 70 mm 29,53 x 21,65 x 2,76"	10 kg 22 lb

HS Code (Harmonized System): 732690, HTS Code (Harmonized Tariff Schedule): 7326909890, Country of Origin: Poland

**ACCESSORIES AND RELATED PRODUCTS**


VWRA65



VWPOP40



VWPOP65-L

2021 - EDBAK Sp. z o.o. All rights reserved.  
 The information included in the specifications reflects the current technical specifications at the time of printing. We reserve the right to modify technical or physical specifications without prior notice. EDBAK name and EDBAK logo are registered trademarks of EDBAK Sp. z o.o. All EDBAK images and symbols are sole property of EDBAK Sp. z o.o. Edbak shall not be held liable for any loss or damage caused by incorrect installation or mounting. Copying this specification in whole or in part is only allowed after obtaining written consent from EDBAK Sp. z o.o.  
 VWPOP55-L-210601-EN