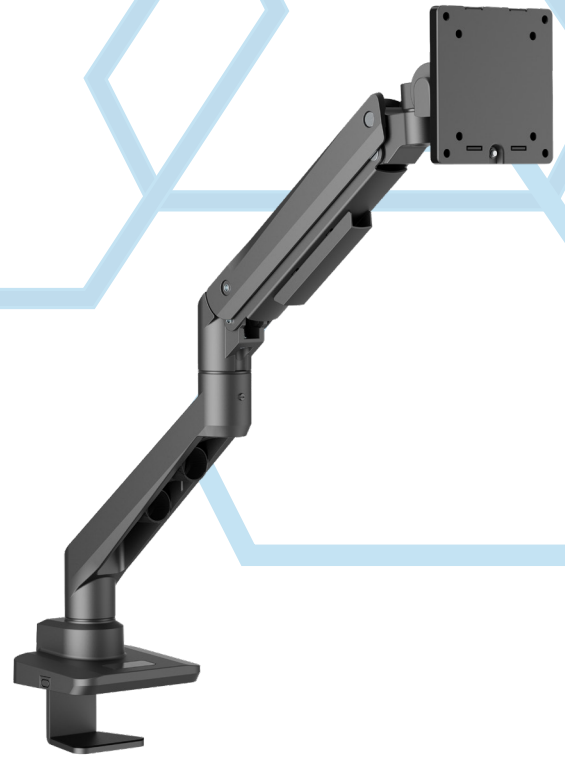


DMV01

DESK MOUNT WITH GAS SPRING

FOR 19"-49" SCREENS

The DMV01 desk mount with gas spring for 19"-49" screens is a solution for those who value ergonomics when working with a computer. Full height adjustment combined with 360° arm rotation allows you to position the screen to suit the user's individual needs and ensures excellent comfort during office work. Two types of desk fastenings are suitable for any installation, increasing the functionality of the mount. DMV01 is a perfect choice for those performing any work with full-day use of screens, including in the industry, transport and monitoring centres. This mount is perfect for users who appreciate both functionality and aesthetics of design.



FEATURES

- Screen tilting adjustment by -20° to +50°
- 90° right-left screen position adjustment
- Height adjustment
- 2 types of desk fastenings included
- Cable management system
- Modern design
- Simple and quick installation

PRODUCT SPECIFICATIONS

Short index	DMV01
Product group	Display Mounts
Category	Desktop Monitor Mounts
Colour	Black
Warranty	Limited 5-years
Number of screens	1
Minimum screen size	19"
Maximum screen size	49"
Maximum load	20 kg
Arm rotation	360°
Left-right rotation	90°
Forward tilting	-20°/+50°
VESA Mounting Compatibility	75x75 up to 100x100



19"-49"



75x75
100x100



-20°/+50°



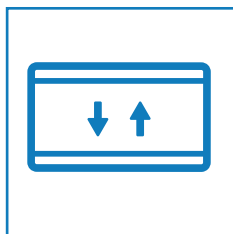
360°



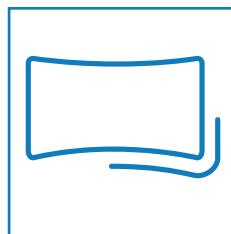
90°



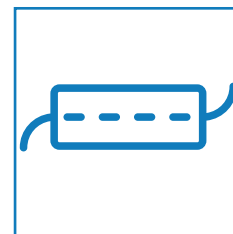
20 kg



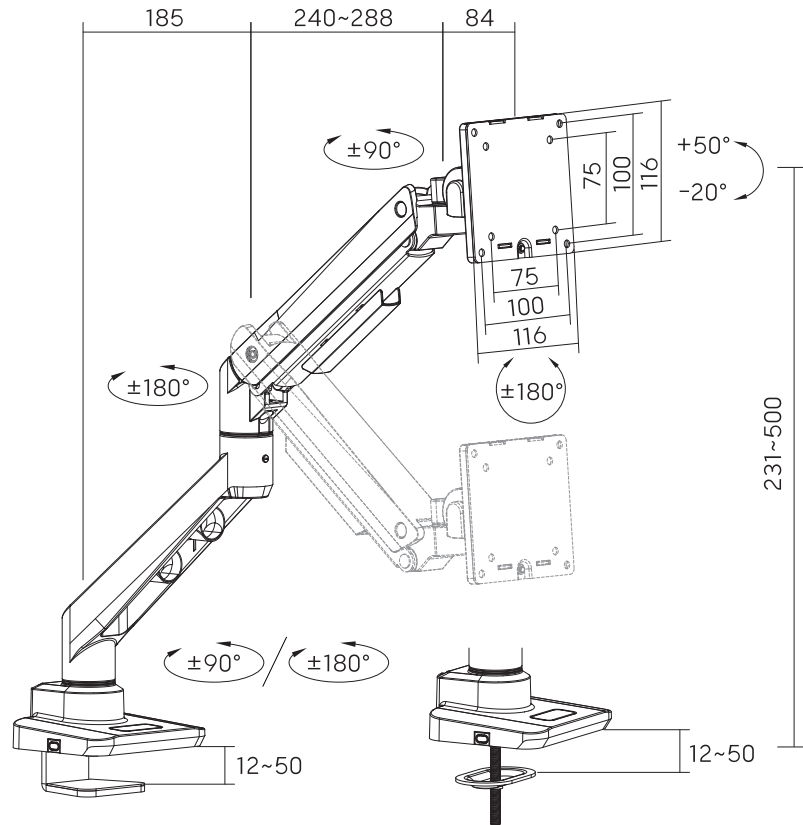
Gas spring



Curved



Cable management system

DIMENSIONS (MM)

TECHNICAL SPECIFICATIONS

Product dimensions	W: 185 mm D: 116 mm H: 231 mm (W: 7,28" D: 4,56" H: 9,09")
Product weight	3,56 kg (7,84 lb)
Max. distance from mounting surface	500 mm (19,68")
Min. distance from mounting surface	231 mm (9,09")
Max. mounting pattern	100 mm x 100 mm
Min. mounting pattern	75 mm x 75 mm

LOGISTICS DATA

SAP INDEKS	EAN CODE	COLOUR	PACKAGE DIMENSIONS	PACKAGE WEIGHT
TOWH-UBI-DMV01	5902841101647	BLACK	417 x 193 x 109 mm (16,41" x 7,59" x 4,29")	4,03 kg (8,88 lb)

HS Code (Harmonized System): 732690, HTS Code (Harmonized Tariff Schedule): 7326909890, Country of Origin: Poland

ACCESSORIES AND RELATED PRODUCTS


DMV02