

TRV400

VIDEOCONFERENCING TROLLEY

FOR 100"-136" SCREENS

This is an excellent choice for users looking for a practical solution that meets the highest expectations. It has been designed to provide comfort during a video conference, speech or public presentation. TRV400 is perfect for all professional applications in conference rooms, office rooms and educational facilities. It is mobile and allows practical use in any arrangement due to its ergonomic shape and stable aluminum structure. The TRV400 video conferencing trolley is equipped with a system that protects the monitor against falling and ensures intuitive adjustment of screen height. AV accessories, such as a laptop or camera, can be placed on shelves that are fitted directly to the vertical column. In addition, the integrated cable management system provides smart installation and makes the finished solution look very aesthetic.

FEATURES

- Modern design with high-end finish
- Stable and durable aluminum structure
- Seamless adjustment of screen height
- Shelves can be fitted directly to the supporting column
- Simple and fast installation
- Non-marking braked castors
- Integrated cable management system for smart installation

PRODUCT SPECIFICATIONS

Short index	TRV400
Product group	Trolleys & Stands
Category	Videoconferencing Trolley
Colour	Black
Warranty	Limited 5-years
Number of screens	1
Minimum screen size	100"
Maximum screen size	136"
Maximum load	200 kg
Height adjustment	Yes
VESA Mounting Compatibility	100x100 up to 1500x900



100"-136"



100x100
1500x900



200 kg



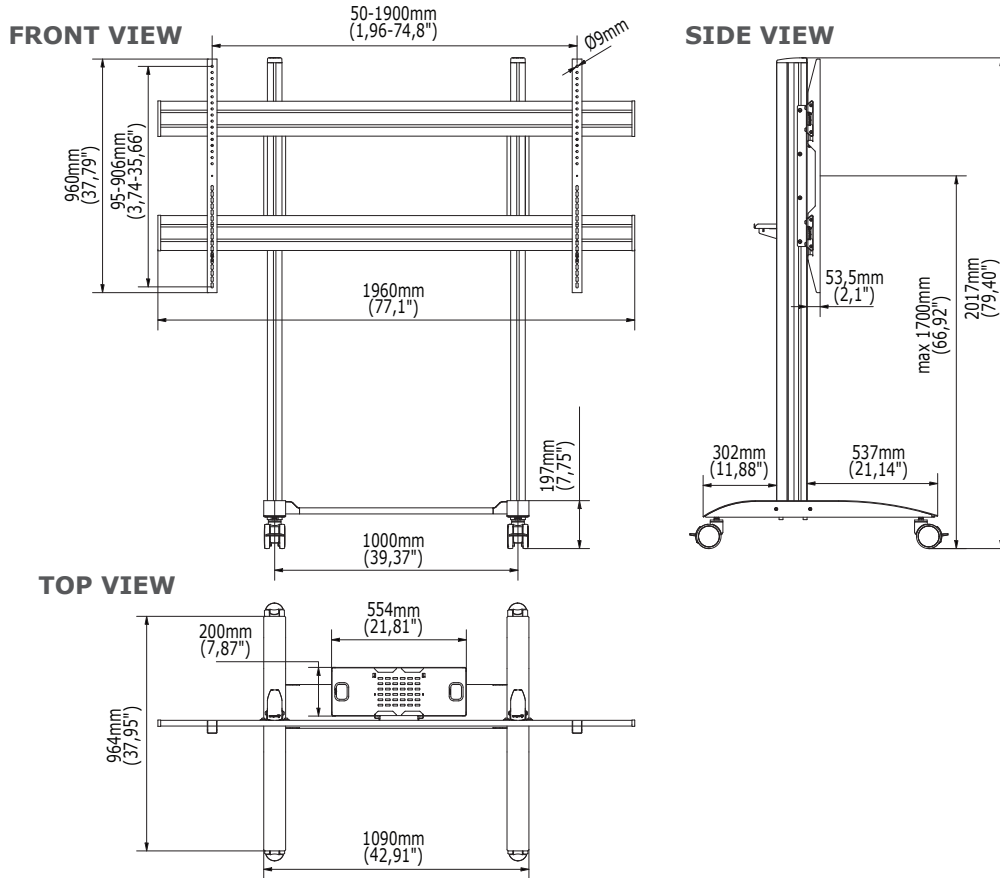
Seamless adjustment of screen height



Cable management system



4 braked castors


TECHNICAL SPECIFICATIONS

Product dimensions	W: 1960 mm D: 964 mm H: 2017 mm (W:87,40" D:37,95" H:79,53")
Product weight	57 kg (126 lb)
Max. distance from the floor to the center of the screen	1700 mm (66,92")
Min. distance from the floor to the center of the screen	500 mm (19,68")
Max. mounting pattern	1900 mm x 906 mm (74,80 x 35,66")
Min. mounting pattern	50 mm x 95 mm (1,96 x 3,74")

LOGISTICS DATA

SAP INDEX	EAN CODE	COLOUR	PACKAGE DIMENSIONS	PACKAGE WEIGHT
WWTR-TRV400	5902841106444	BLACK	2010 x 260 x 650 mm 79,13 x 10,24 x 25,59"	77 kg 170 lb

HS Code (Harmonized System): 732690, HTS Code (Harmonized Tariff Schedule): 7326909890, Country of Origin: Poland

ACCESSORIES AND RELATED PRODUCTS


STD01



STD17



TRV100