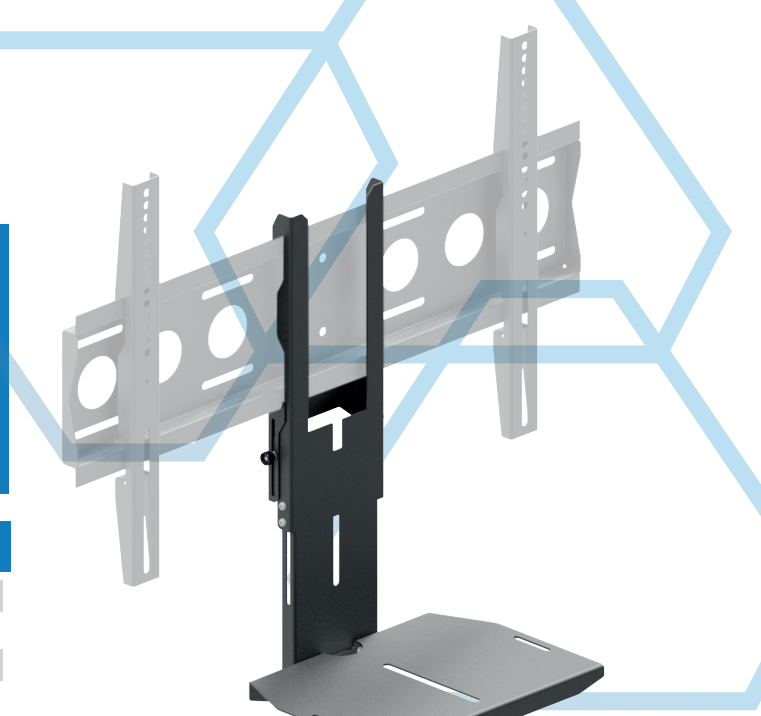


TRSM300

Metal shelf for AV accessories
suitable for PWB1, PWB2, LWB1, LWB2, TWB1, TWB2

SUITABLE FOR 40"-55" SCREENS



PRODUCT SPECIFICATIONS

Short index	TRSM300
Product group	Display Mounts
Category	Accessories
Colour	Black
Warranty	Limited 5-years
Minimum screen size	40"
Maximum screen size	55"
Maximum load	10 kg



40"-55"



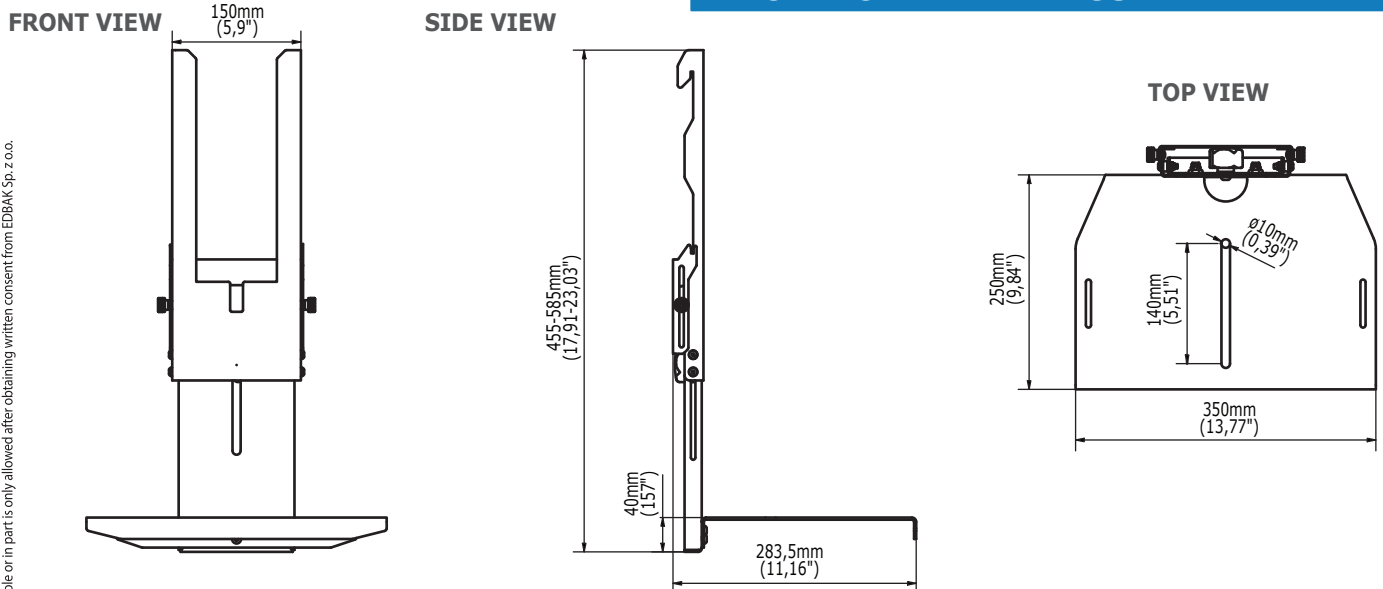
10 kg



TECHNICAL SPECIFICATIONS

Product dimensions	W: 350 mm D: 283,5 mm H: 455 mm (W:13,77" D:11,16" H:17,91")
Product weight	3,6 kg (7,93 lb)
Max. distance from mounting surface	585 mm (23,03")
Min. distance from mounting surface	455 mm (17,91")

TECHNICAL DRAWINGS



LOGISTICS DATA

SAP INDEX	EAN CODE	COLOUR	PACKAGE DIMENSIONS	PACKAGE WEIGHT
WWTR-TRSM300	5908252969944	BLACK	540 x 305 x 45 mm 21,25 x 12 x 1,77"	4 kg 8,81 lb

HS Code (Harmonized System): 732690, HTS Code (Harmonized Tariff Schedule): 7326909890, Country of Origin: Poland