

# TRS4

GLASS SHELF WITH HANDLE  
FOR TR4/TR5/TR6 TROLLEY

## PRODUCT SPECIFICATIONS

Short index	TRS4
Product group	Trolleys & Stands
Category	Accessories
Colour	Black
Warranty	Limited 5-years
Maximum load	1 kg



1 kg



## TECHNICAL SPECIFICATIONS

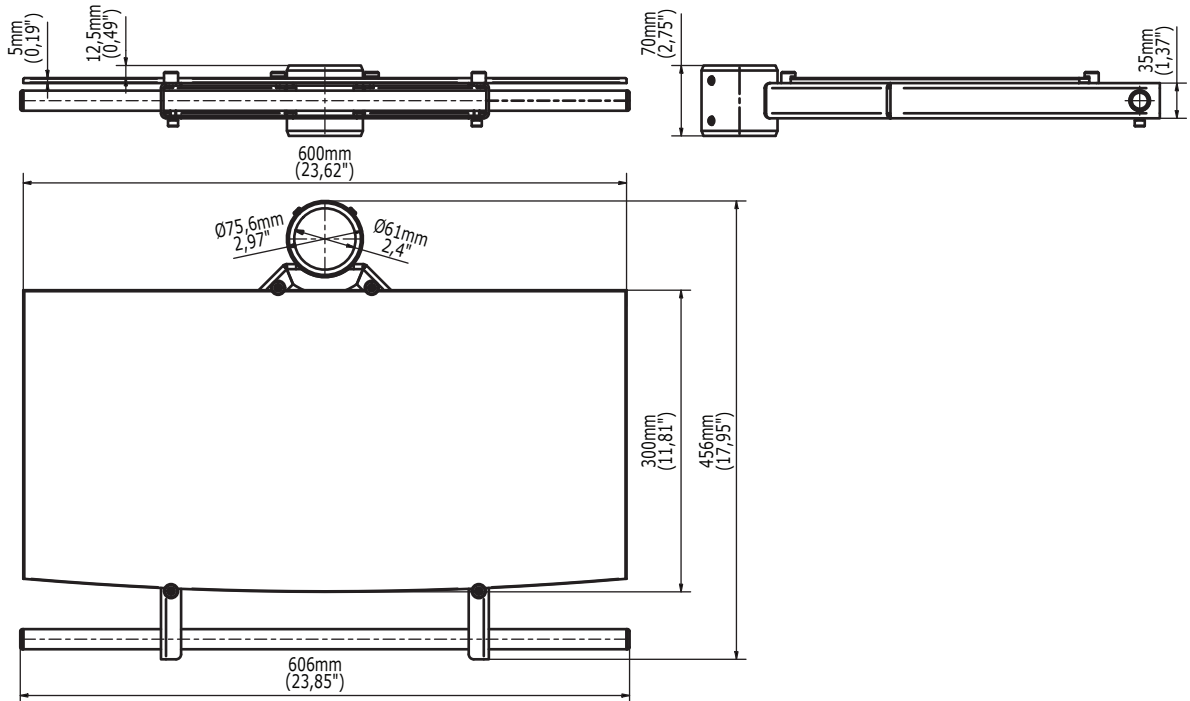
Product dimensions

W: 606 mm D: 456 mm H: 70 mm (W:23,85" D:17,95" H:2,75")

Product weight

4,5 kg (9,92 lb)

## TECHNICAL DRAWINGS



## LOGISTICS DATA

SAP INDEX	EAN CODE	COLOUR	PACKAGE DIMENSIONS	PACKAGE WEIGHT
WWTR-TRS4	5908252960170	BLACK	645 x 520 x 120 mm 25,39 x 20,47 x 4,72"	6,5 kg 14,33 lb

HS Code (Harmonized System): 732690, HTS Code (Harmonized Tariff Schedule): 7326909890, Country of Origin: Poland