

SV35

CEILING MOUNT WITH ADJUSTABLE DROP

FOR TWO 10"-29" SCREENS, BACK TO BACK

The SV35 ceiling mount is a solution for those who value aesthetics and precision of design. This product works perfectly in hotels, restaurants or public buildings. SV35 features a slim structure and simple design. Stepwise height adjustment ensures accurate fastening, and the integrated cable management system allows the cabling to be hidden, guaranteeing aesthetic appearance of any audiovisual installation.

FEATURES

- Height adjustment
- Adjustment of the angle of rotation, tilt
- Simple screen installation
- Simple and quick installation
- Smart cable management
- Includes all necessary screen mounting hardware
- Modern design with high-end finish

PRODUCT SPECIFICATIONS

Short index	SV35
Product group	Display Mounts
Category	Ceiling Mounts
Colour	Black
Warranty	Limited 5-years
Number of screens	2
Minimum screen size	10"
Maximum screen size	29"
Maximum load	20 kg
Forward tilting	-90°/+90°
Height adjustment	Yes
VESA Mounting Compatibility	75x75 up to 100x100



75x75
100x100



10"-29"



90°/+90°



20 kg



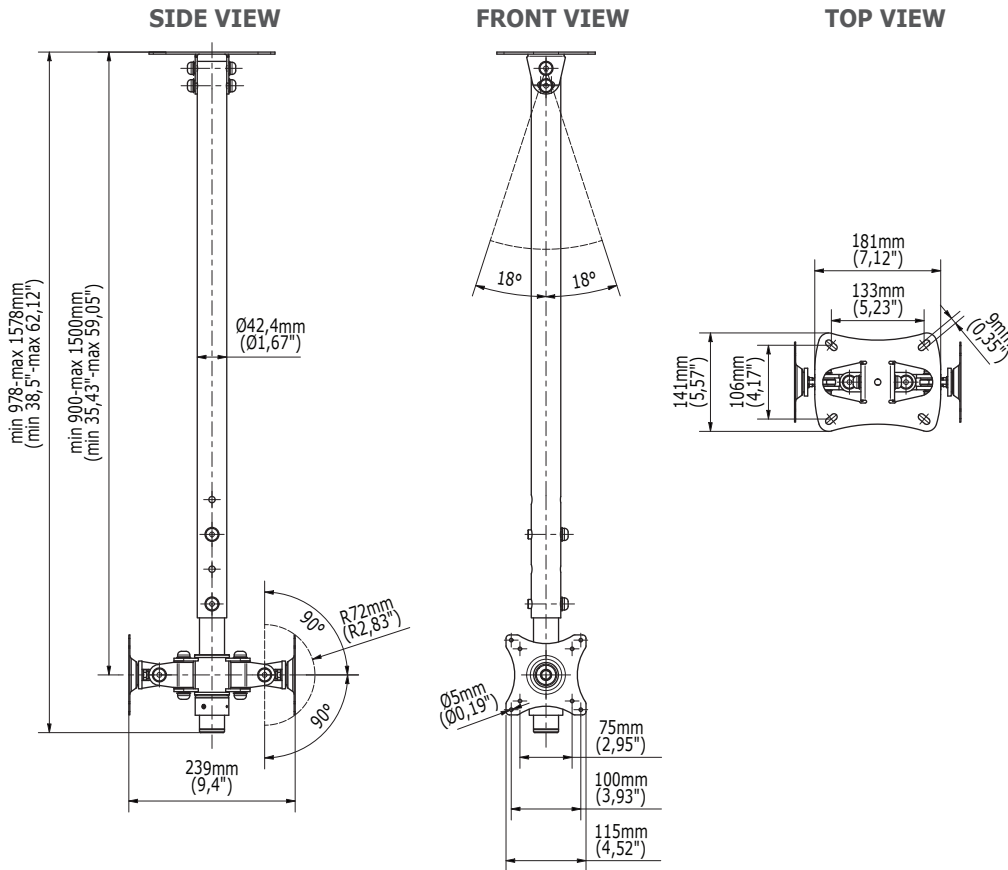
Height adjustment



Tilt adjustment and rotation



Smart cable management



TECHNICAL SPECIFICATIONS

Product dimensions	W: 141 mm D: 239 mm H: min 978-max 1578mm (W:5,57" D:9,4" H:min 38,5"-max 62,12")
Product weight	5,9 kg (13,0 lb)
Max. distance from mounting surface	1500 mm (59,05")
Min. distance from mounting surface	900 mm (35,43")

LOGISTICS DATA

SAP INDEX	EAN CODE	COLOUR	PACKAGE DIMENSIONS	PACKAGE WEIGHT
WUSU-SV35	5902841134577	BLACK	1000 x 200 x 160 mm 39,37 x 7,87 x 6,29"	6,7 kg 14,77 lb

HS Code (Harmonized System): 732690, HTS Code (Harmonized Tariff Schedule): 7326909890, Country of Origin: Poland

ACCESSORIES AND RELATED PRODUCTS



SV34