

# PT03

## PROJECTOR TROLLEY WITH SHELF

The PT03 projector trolley is excellent quality and design combined with functionality. Its adjustable design is mounted on an aesthetic, chrome-plated running base. The Edbak PT03 projector trolley has a large shelf with an adjustable angle of inclination, and the maximum lifting capacity, allowing use with most projectors available on the market.



### FEATURES

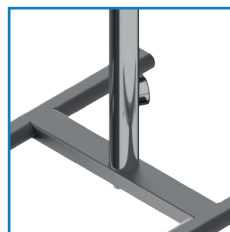
- Height adjustment
- Tilt angle adjustment
- Shelf with  $-15^{\circ}/+5^{\circ}$  tilt adjustment for various types of devices, e.g. camera, laptop, etc.

### PRODUCT SPECIFICATIONS

Short index	PT03
Product group	Trolleys & Stands
Category	Projector Mounts
Colour	Black
Warranty	Limited 5-years
Number of screens	1
Maximum load	15 kg
Forward tilting	$-15^{\circ}/+5^{\circ}$
Height adjustment	Yes



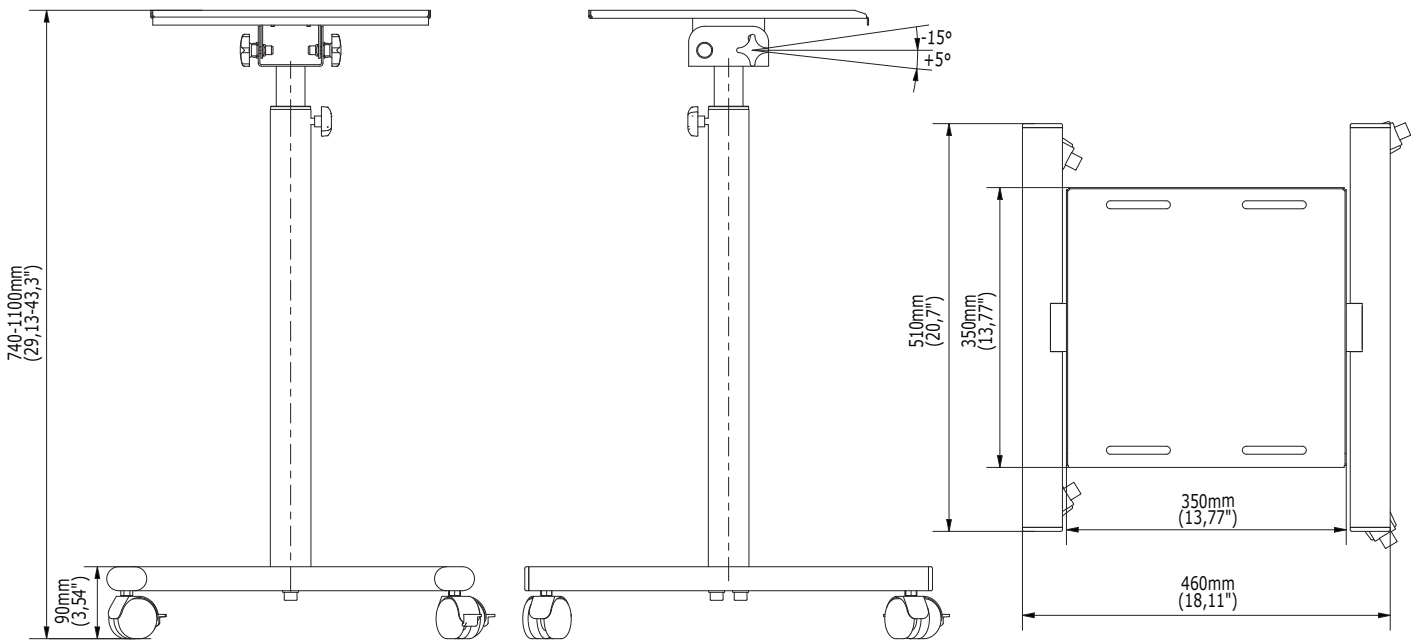
Stable base



Height adjustment



Wheels with lock


**TECHNICAL SPECIFICATIONS**

Product dimensions	W: 460 mm D: 510 mm H: 740 mm (W:18,11" D:20,7" H:29,13")
Product weight	10 kg (22,04 lb)
Max. distance from the floor to the center of the screen	1100 mm (43,3")
Min. distance from the floor to the center of the screen	740 mm (29,13")

**LOGISTICS DATA**

SAP INDEX	EAN CODE	COLOUR	PACKAGE DIMENSIONS	PACKAGE WEIGHT
WWTR-PT03	5908252969906	BLACK	710 x 465 x 160 mm 27,95 x 18,30 x 6,29"	12 kg 26,45 lb

HS Code (Harmonized System): 732690, HTS Code (Harmonized Tariff Schedule): 7326909890, Country of Origin: Poland

**ACCESSORIES AND RELATED PRODUCTS**


PMV100



PMV200



PMV300

2022 - EDBAK Sp. z o.o. All rights reserved.  
 The information included in the specifications reflects the current technical specifications at the time of printing. We reserve the right to modify technical or physical specifications without prior notice. EDBAK name and EDBAK logo are registered trademarks of EDBAK Sp. z o.o. All EDBAK images and symbols are sole property of EDBAK Sp. z o.o. Edbak shall not be held liable for any loss or damage caused by incorrect installation or mounting. Copying this specification in whole or in part is only allowed after obtaining written consent from EDBAK Sp. z o.o.  
 PT03 - 210601-EN