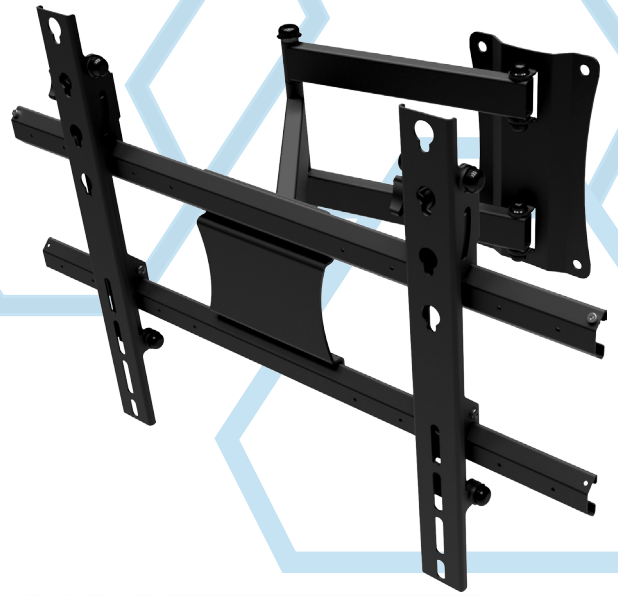


PWS2

DOUBLE SWING ARM WALL MOUNT

FOR 32"-50" SCREENS

The PWS2 double swing arm wall mount is dedicated to screens ranging from 32" to 50". It is a mount with a movable arm that has 3 bending points. Three rotation axes allow any adjustment of the screen position horizontally. The possibility of tilting the screen +10° and 90°/90° right-left screen rotation allow the screen position to be adjusted to suit to the user's needs and improve the comfort of use.



FEATURES

- Modern design and high-end aesthetics
- Screen adjustment: 3 rotation axes
- Possibility of tilting the screen +10°
- Protection against accidental shifting of the screen on the beam
- Dedicated for installation in wall corners
- 90°/90° right-left screen rotation
- VESA universal standard
- Integrated cable management system

PRODUCT SPECIFICATIONS

Short index	PWS2
Category	Swing Arms Wall Mounts
Product group	Display Mounts
Colour	Black
Warranty	Limited 5-years
Number of screens	1
Minimum screen size	32"
Maximum screen size	50"
Maximum load	25 kg
Left-right rotation	180°
Forward tilting	+10°
VESA Mounting Compatibility	200x200 up to 600x400



32"-50"



200x200
600x400



+10°



180°



25 kg



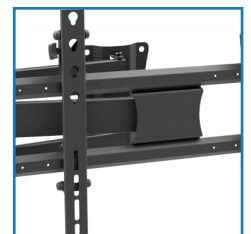
Possibility of tilting the screen +10°



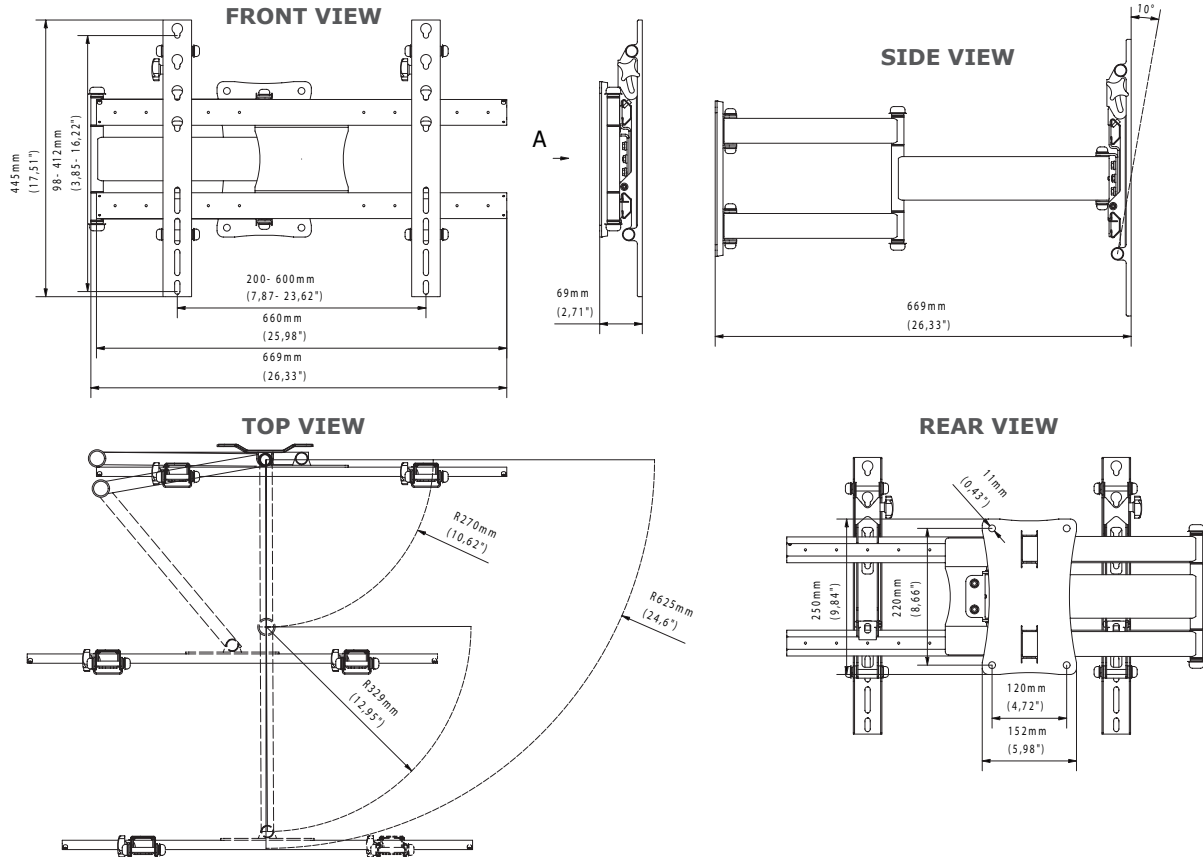
90°/90° right-left screen rotation



Integrated cable management system



VESA universal standard



TECHNICAL SPECIFICATIONS

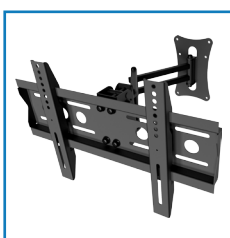
Product dimensions	W: 669 mm D: 69 mm H: 445 mm (W: 26,34" D: 2,72" H: 17,52")
Product weight	7 kg (15 lb)
Max. distance from mounting surface	669 mm (26,34")
Min. distance from mounting surface	69 mm (2,72")
Max. mounting pattern	600 mm x 412 mm
Min. mounting pattern	200 mm x 98 mm

LOGISTICS DATA

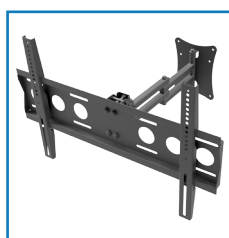
SAP INDEKS	EAN CODE	COLOUR	PACKAGE DIMENSIONS	PACKAGE WEIGHT
WUSC-PWS2c-B	5908252965892	BLACK	780 x 345 x 70 mm (30,71" x 13,58" x 2,76")	8 kg (18 lb)

HS Code (Harmonized System): 732690, HTS Code (Harmonized Tariff Schedule): 7326909890, Country of Origin: Poland

ACCESSORIES AND RELATED PRODUCTS



LWS1



PWS1



VSM652



VSM653