

LANDSCAPE
OR PORTRAIT
ORIENTATION
OF SCREEN

GD04

TILT WALL MOUNT

FOR 10"-29" SCREENS

Designed for the most challenging spaces. With its flexible positioning adjustment, it is perfect for wall corners. Adjustment of the arm on the head allows lateral and tilt adjustment as well as precise positioning of the screen to ensure proper and a wide angle of view. 360° rotation on the head allows the screen to be oriented vertically or horizontally. Slim design makes GD04 aesthetic and discreet, while protecting the screen against unauthorised removal to ensure safe use.



FEATURES

- Vertical and horizontal adjustment of screen
- 360° vertical-horizontal screen rotation
- 65°/65° right-left screen rotation
- Lock screw to prevent unauthorised screen removal
- Quick and simple installation of the product by one person

PRODUCT SPECIFICATIONS

Short index	GD04
Category	Tilt Wall Mounts
Product group	Display Mounts
Colour	Black
Warranty	Limited 5-years
Number of screens	1
Minimum screen size	10"
Maximum screen size	29"
Maximum load	10 kg
Forward tilting	+75°
VESA Mounting Compatibility	75x75 up to 100x100



10"-29"



75x75
100x100



0-75°



10 kg



RoHS
Compliant



360° vertical-horizontal screen rotation



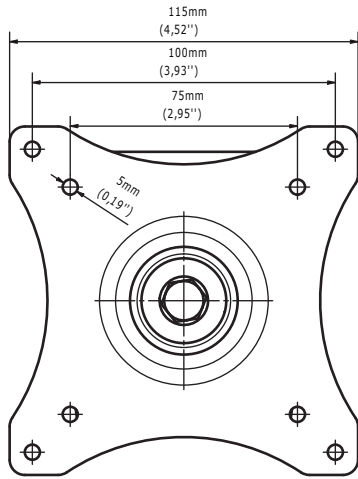
Vertical and horizontal
adjustment of the head



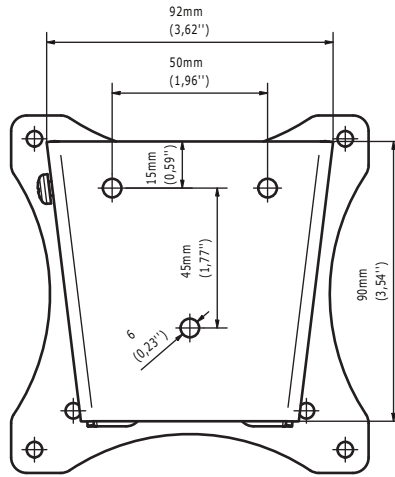
65°/65° right-left screen
rotation



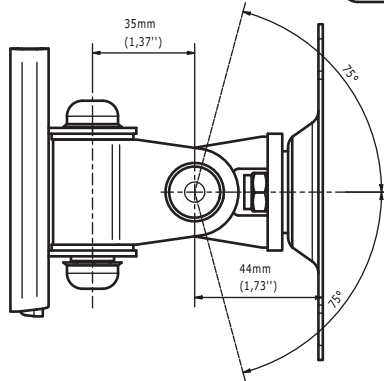
Lock screw to prevent
unauthorised screen removal



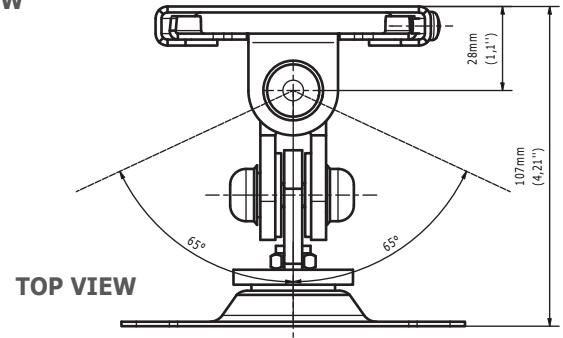
FRONT VIEW



BACK VIEW



SIDE VIEW



TOP VIEW

TECHNICAL SPECIFICATIONS

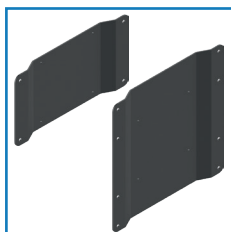
Product dimensions	W: 115 mm D: 107 mm H: 115 mm (W:4,53" D:4,21" H:4,53")
Product weight	0,7 kg (2 lb)
Max. distance from mounting surface	107 mm (4,21")
Min. distance from mounting surface	107 mm (4,21")
Max. mounting pattern	100 mm x 100 mm
Min. mounting pattern	75 mm x 75 mm

LOGISTICS DATA

SAP INDEX	EAN CODE	COLOUR	PACKAGE DIMENSIONS	PACKAGE WEIGHT
WUSC-GD04c-B	5902841103481	BLACK	120 x 120 x 110 mm 4,72 x 4,72 x 4,33"	0,80 kg 2 lb

HS Code (Harmonized System): 732690, HTS Code (Harmonized Tariff Schedule): 7326909890, Country of Origin: Poland

ACCESSORIES AND RELATED PRODUCTS



VESA adapters:
GDA1/GDA2



GD03



GD18