

# EWB200

## UNIVERSAL FLAT WALL MOUNT

FOR 40"-75" SCREENS

Designed for practical wall mounting of the screen. With its slim design, EWB200 ensures a very short distance between the screen and the wall, only 26 mm. The ease of mount installation and the built-in spirit level make it extremely simple to install the mount on various types of wall surfaces. With the protection against unauthorised screen removal, EWB200 can be used in public areas or waiting rooms. Robust finish, modern and functional design will meet demanding users' expectations.



### FEATURES

- Wall distance: 26 mm
- Simple and quick installation
- Spirit level to facilitate installation
- Modern design
- Lateral adjustment of the screen once mounted on the wall plate
- Suitable for installation on brick, concrete, plaster and wooden walls
- Screen protection against unauthorised removal or accidental fall of a screen using security screws

### PRODUCT SPECIFICATIONS

Short index	EWB200
Category	Flat Wall Mounts
Product group	Display Mounts
Colour	Black
Warranty	Limited 5-years
Number of screens	1
Minimum screen size	40"
Maximum screen size	75"
Maximum load	40 kg
VESA Mounting Compatibility	100x100 up to 800x400



40"-75"



100x100  
800x400



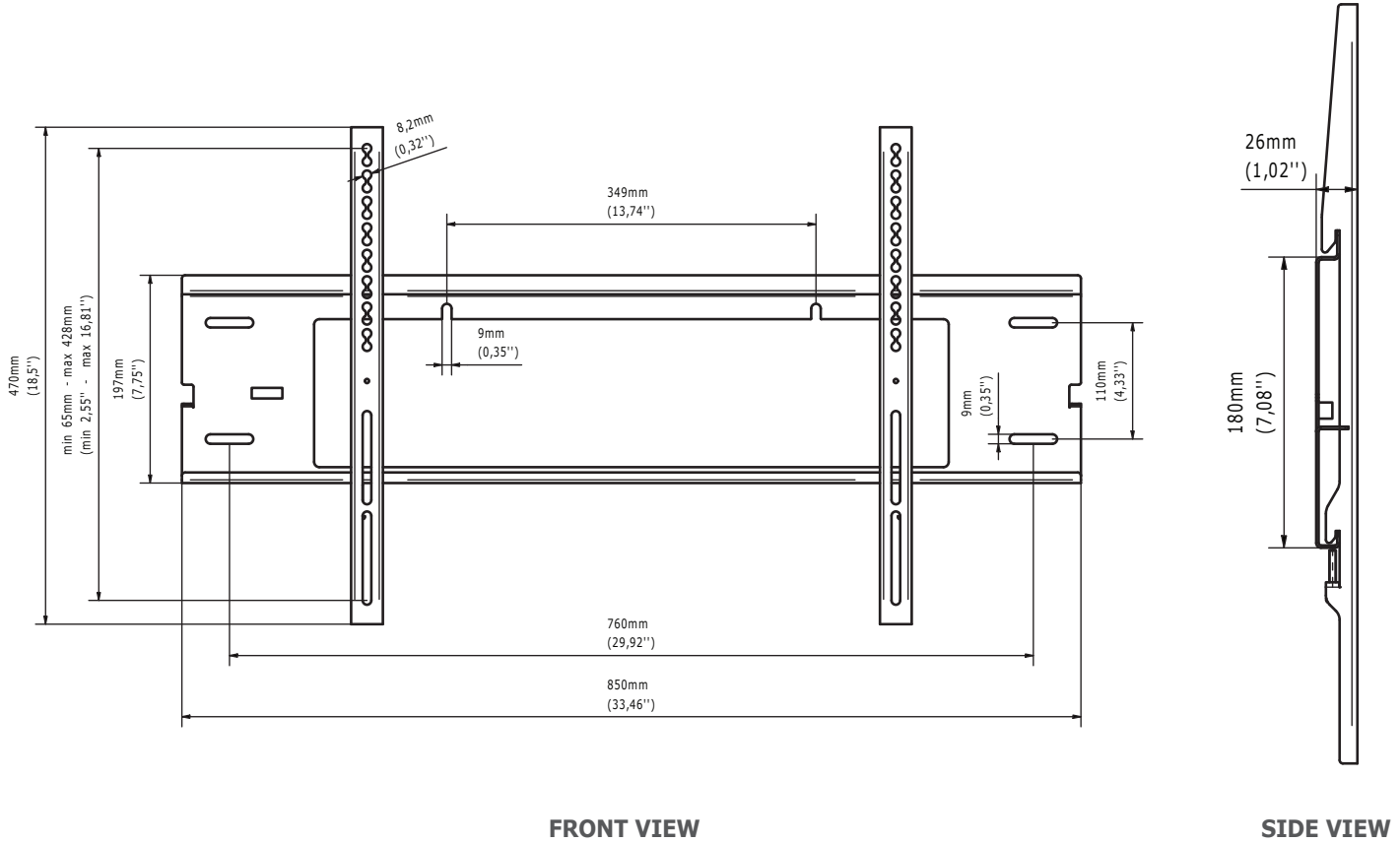
40 kg



Spirit level to facilitate installation



Security screws provide security against unauthorised or accidental removal of a screen


**FRONT VIEW**
**SIDE VIEW**
**TECHNICAL SPECIFICATIONS**

Product dimensions	W: 850 mm D: 26 mm H: 470 mm (W:33,46" D:1,02" H:18,50")
Product weight	1,7 kg (4 lb)
Max. distance from mounting surface	26 mm (1,02")
Min. distance from mounting surface	26 mm (1,02")
Max. mounting pattern	825 mm x 428 mm
Min. mounting pattern	60 mm x 65 mm

**LOGISTICS DATA**

SAP INDEX	EAN CODE	COLOUR	PACKAGE DIMENSIONS	PACKAGE WEIGHT
WUSC-EWB200c-B	5908252963508	BLACK	925 x 220 x 40 mm 36,42 x 8,66 x 1,57"	2,3 kg 5 lb

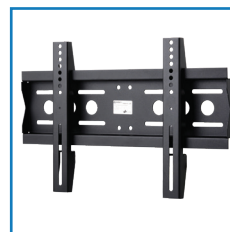
HS Code (Harmonized System): 732690, HTS Code (Harmonized Tariff Schedule): 7326909890, Country of Origin: Poland

**ACCESSORIES AND RELATED PRODUCTS**


EWB100



EWB250



LWB1



PWB1

2021 - EDBAK Sp. z o.o. All rights reserved.  
 The information included in the specification reflects the current technical specifications at the time of printing. We reserve the right to modify technical or physical specifications without prior notice. EDBAK name and EDBAK logo are registered trademarks of EDBAK Sp. z o.o. All EDBAK images and symbols are sole property of EDBAK Sp. z o.o. Edbak shall not be held liable for any loss or damage caused by incorrect installation or mounting. Copying this specification in whole or in part is only allowed after obtaining written consent from EDBAK Sp. z o.o.  
 EWB200c-B-210601-EN