

VWPOP40

**VIDEO WALL POP-OUT MOUNT
WITH QUICK RELEASE**
FOR 19"-40" SCREENS

VWPOP40 is designed for the installation of video walls with smaller screens. Eight positions of screen adjustment, spring-loaded mechanism for adjusting the masses of individual screens or an easy service access system offer great construction possibilities. This mount is the number one choice for users who care about intuitiveness and operating comfort. VWPOP40 provides optimum comfort during the construction of a modular audio/visual wall.



FEATURES

- Dedicated for screens up to 40"
- 8-point +/- 5 mm micro-adjustment allows precise alignment of screens without the use of tools
- Open product design for quick and easy servicing access
- Bolt protection prevents the screen from being slid out accidentally
- Integrated cable routing system

PRODUCT SPECIFICATIONS

Short index	VWPOP40
Category	Video Wall Mounts
Product group	Video Wall & Menu Board Mounts
Colour	Black
Warranty	Limited 5-years
Minimum screen size	19"
Maximum screen size	40"
Maximum load	25 kg
VESA Mounting Compatibility	75x75 up to 200x200



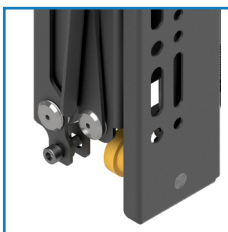
19" - 40"



75x75
200x200



25 kg



Securing the screen against falling with screws

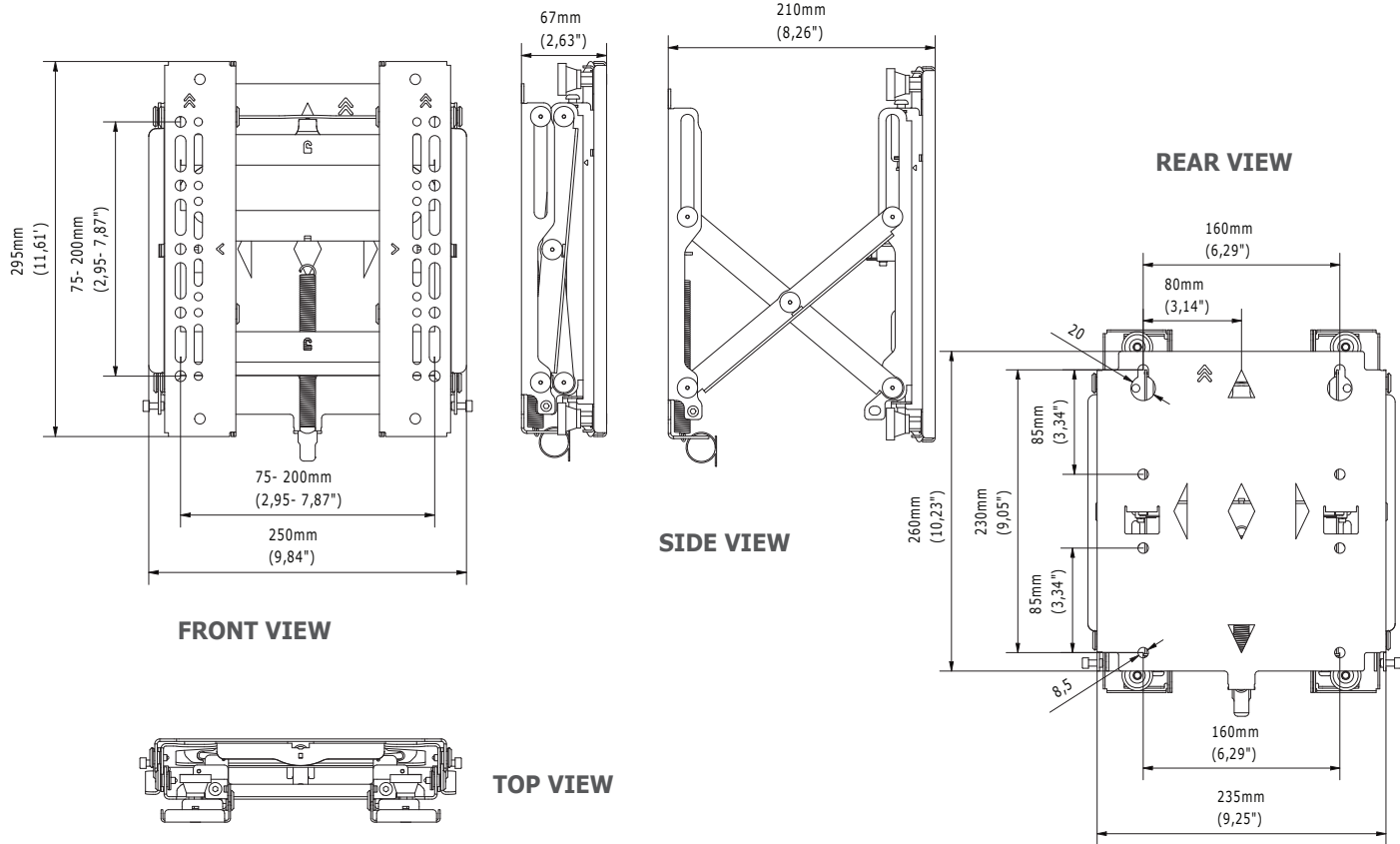


Minimalistic design and functionality



Wide range of VESA mounting standards

TECHNICAL DRAWINGS



TECHNICAL SPECIFICATIONS

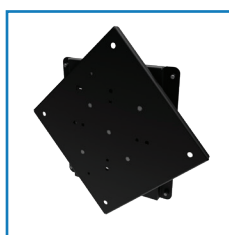
Product dimensions	W: 250 mm D: 67 mm H: 295 mm (W:9,84" D:2,64" H:11,61")
Product weight	3 kg (7 lb)
Max. distance from the surface	210 mm (8,27")
Min. distance from the surface	67 mm (2,64")
Max. mounting pattern	200 mm x 200 mm
Min. mounting pattern	75 mm x 75 mm

LOGISTICS DATA

SAP INDEX	EAN CODE	COLOUR	PACKAGE DIMENSIONS	PACKAGE WEIGHT
WUSC-VWPOP40	5902841134881	BLACK	380 x 280 x 100 mm 14,96 x 11,02 x 3,94"	3,7 kg 8 lb

HS Code (Harmonized System): 732690, HTS Code (Harmonized Tariff Schedule): 7326909890, Country of Origin: Poland

ACCESSORIES AND RELATED PRODUCTS



VWRA40



VWPOP65-L



VWPOPT65-L